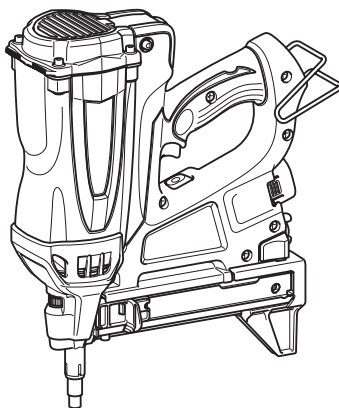


INSTRUCTION MANUAL
MANUEL D'INSTRUCTION
MANUAL DE INSTRUCCIONES



Cordless Concrete Nailer Cloueur à Gaz Pour Béton Clavadora a Gas-Batería para Concreto

GN01



IMPORTANT: Read Before Using.

IMPORTANT : Lire avant usage.

IMPORTANTE: Lea antes de usar.












SPECIFICATIONS

Model	GN01
Nail capacity	20 nails (2strips)
Dimensions (L X W X H)	315 mm (12-3/8") X 108 mm (4-1/4") X 390 mm (15-3/8")
Net weight	3.6 kg (7.9 lbs.)
Nail length X Shank diameter	Nail L :15 mm - 40 mm (5/8" - 1-9/16") d : 2.6 mm - 3.1 mm (.102" - .122")
Rated voltage	D.C. 7.2 V
Standard battery cartridges	BL7010 / BL0715

- Due to our continuing program of research and development, the specifications herein are subject to change without notice.
- Specifications and battery cartridge may differ from country to country.
- Weight, with battery cartridge, according to EPTA-Procedure 01/2003

Symbols

The followings show the symbols used for tool.

	Read and understand tool labels and manual.
	Operators and others in work area must wear safety glasses with side shields.
	Keep fingers away from trigger when not driving fasteners to avoid accidental firing.
V	volts
	direct current
	Container under pressure, keep away from temperatures over 50°C (for ex. sun radiation) Keep container in a well ventilated place.
	Use only outside or well ventilated rooms. Do not breathe gas.
	Do not use near flames or sprays on heated surfaces. In use, may form flammable/explosive vapour-air mixture.
	Do not damage, puncture or burn even after use.
	Use only in ventilated area to avoid nausea and unconsciousness. Never use tool in combustible atmospheres. The tool exhaust may ignite flammable materials.
	Do not use on scaffoldings, ladders.
	Warning: hot surface! Do not touch around this symbol. Touching the surface may cause burns or injuries.

General Power Tool Safety Warnings

⚠WARNING Read all safety warnings and all instructions. Failure to follow the warnings and instructions may result in electric shock, fire and/or serious injury.

Save all warnings and instructions for future reference.

The term "power tool" in the warnings refers to your mains-operated (corded) power tool or battery-operated (cordless) power tool.

Work area safety

1. **Keep work area clean and well lit.** Cluttered or dark areas invite accidents.
2. **Do not operate power tools in explosive atmospheres, such as in the presence of flammable liquids, gases or dust.** Power tools create sparks which may ignite the dust or fumes.
3. **Keep children and bystanders away while operating a power tool.** Distractions can cause you to lose control.

Electrical safety

4. **Power tool plugs must match the outlet. Never modify the plug in any way. Do not use any adapter plugs with earthed (grounded) power tools.** Unmodified plugs and matching outlets will reduce risk of electric shock.
5. **Avoid body contact with earthed or grounded surfaces such as pipes, radiators, ranges and refrigerators.** There is an increased risk of electric shock if your body is earthed or grounded.
6. **Do not expose power tools to rain or wet conditions.** Water entering a power tool will increase the risk of electric shock.
7. **Do not abuse the cord. Never use the cord for carrying, pulling or unplugging the power tool. Keep cord away from heat, oil, sharp edges or moving parts.** Damaged or entangled cords increase the risk of electric shock.
8. **When operating a power tool outdoors, use an extension cord suitable for outdoor use.** Use of a cord suitable for outdoor use reduces the risk of electric shock.

9. **If operating a power tool in a damp location is unavoidable, use a ground fault circuit interrupter (GFCI) protected supply.** Use of an GFCI reduces the risk of electric shock.

Personal safety

10. **Stay alert, watch what you are doing and use common sense when operating a power tool. Do not use a power tool while you are tired or under the influence of drugs, alcohol or medication.** A moment of inattention while operating power tools may result in serious personal injury.
11. **Use personal protective equipment. Always wear eye protection.** Protective equipment such as dust mask, non-skid safety shoes, hard hat, or hearing protection used for appropriate conditions will reduce personal injuries.
12. **Prevent unintentional starting. Ensure the switch is in the off-position before connecting to power source and/or battery pack, picking up or carrying the tool.** Carrying power tools with your finger on the switch or energising power tools that have the switch on invites accidents.
13. **Remove any adjusting key or wrench before turning the power tool on.** A wrench or a key left attached to a rotating part of the power tool may result in personal injury.
14. **Do not overreach. Keep proper footing and balance at all times.** This enables better control of the power tool in unexpected situations.
15. **Dress properly. Do not wear loose clothing or jewellery. Keep your hair, clothing, and gloves away from moving parts.** Loose clothes, jewellery or long hair can be caught in moving parts.
16. **If devices are provided for the connection of dust extraction and collection facilities, ensure these are connected and properly used.** Use of dust collection can reduce dust-related hazards.

Power tool use and care

17. **Do not force the power tool. Use the correct power tool for your application.** The correct power tool will do the job better and safer at the rate for which it was designed.
18. **Do not use the power tool if the switch does not turn it on and off.** Any power tool that cannot be controlled with the switch is dangerous and must be repaired.
19. **Disconnect the plug from the power source and/or the battery pack from the power tool before making any adjustments, changing accessories, or storing power tools.** Such preventive safety measures reduce the risk of starting the power tool accidentally.
20. **Store idle power tools out of the reach of children and do not allow persons unfamiliar with the power tool or these instructions to operate the power tool.** Power tools are dangerous in the hands of untrained users.
21. **Maintain power tools. Check for misalignment or binding of moving parts, breakage of parts and any other condition that may affect the power tool's operation. If damaged, have the power tool repaired before use.** Many accidents are caused by poorly maintained power tools.
22. **Keep cutting tools sharp and clean.** Properly maintained cutting tools with sharp cutting edges are less likely to bind and are easier to control.

23. **Use the power tool, accessories and tool bits etc. in accordance with these instructions, taking into account the working conditions and the work to be performed.** Use of the power tool for operations different from those intended could result in a hazardous situation.

Battery tool use and care

24. **Recharge only with the charger specified by the manufacturer.** A charger that is suitable for one type of battery pack may create a risk of fire when used with another battery pack.
25. **Use power tools only with specifically designated battery packs.** Use of any other battery packs may create a risk of injury and fire.
26. **When battery pack is not in use, keep it away from other metal objects, like paper clips, coins, keys, nails, screws or other small metal objects, that can make a connection from one terminal to another.** Shorting the battery terminals together may cause burns or a fire.
27. **Under abusive conditions, liquid may be ejected from the battery; avoid contact. If contact accidentally occurs, flush with water. If liquid contacts eyes, additionally seek medical help.** Liquid ejected from the battery may cause irritation or burns.

Service

28. **Have your power tool serviced by a qualified repair person using only identical replacement parts.** This will ensure that the safety of the power tool is maintained.
29. **Follow instruction for lubricating and changing accessories.**
30. **Keep handles dry, clean and free from oil and grease.**

IMPORTANT SAFETY INSTRUCTIONS

WARNING: WHEN USING THIS TOOL, BASIC SAFETY PRECAUTIONS SHOULD ALWAYS BE FOLLOWED TO REDUCE THE RISK OF PERSONAL INJURY, INCLUDING THE FOLLOWING:

READ ALL INSTRUCTIONS.

1. **For personal safety and proper operation and maintenance of the tool, read this instruction manual carefully before using the tool.**
 - Use the tool only with the Makita genuine fuel cell.
 - Never use the tool in enclosed or poorly ventilated spaces.
2. **Always wear safety glasses to protect your eyes from dust or nail injury. The safety glasses should conform with the requirements of ANSI Z87.1.**

WARNING:
It is an employer's responsibility to enforce the use of safety eye protection equipment by the tool operators and by other persons in the immediate working area.
3. **Wear hearing protection to protect your ears against exhaust noise and head protection. Also wear light but not loose clothing. Sleeves should be buttoned or rolled up. No necktie should be worn.**

4. **Rushing the job or forcing the tool is dangerous. Handle the tool carefully. Do not operate when under the influence of alcohol, drugs or the like.**
5. **General Tool Handling Guidelines:**
 - Always assume that the tool contains fasteners.
 - Do not point the tool toward yourself or anyone whether it contains fasteners or not.
 - Do not actuate the tool unless the tool is placed firmly against the workpiece.
 - Respect the tool as a working implement.
 - No horseplay.
 - Do not hold or carry the tool with a finger on the trigger.
 - Do not load the tool with fasteners when any one of the operating controls is activated.
 - Do not operate the tool with any power source other than that specified in the tool operating/safety instructions.
6. **An improperly functioning tool must not be used.**
7. **Sparks sometimes fly when the tool is used. Do not use the tool near volatile, flammable materials such as gasoline, thinner, paint, gas, adhesives, etc.; they will ignite and explode, causing serious injury.**
8. **The area should be sufficiently illuminated to assure safe operations. The area should be clear and litter-free. Be especially careful to maintain good footing and balance.**
9. **Only those involved in the work should be in the vicinity. Children especially must be kept away at all times.**
10. **There may be local regulations concerning noise which must be complied with by keeping noise levels within prescribed limits. In certain cases, shutters should be used to contain noise.**
11. **Do not play with the contact element: it prevents accidental discharge, so it must be kept on and not removed. Securing the trigger in the ON position is also very dangerous. Never attempt to fasten the trigger. Do not operate a tool if any portion of the tool operating controls is inoperable, disconnected, altered, or not working properly.**
12. **Always check the tool for its overall condition and loose screws before operation. Tighten as required.**
13. **Make sure all safety systems are in working order before operation. The tool must not operate if only the trigger is pulled or if only the contact element is pressed against the wood. It must work only when both actions are performed. Test for possible faulty operation with nails unloaded and the pusher in fully pulled position.**
14. **Check walls, ceilings, floors, roofing and the like carefully to avoid possible electrical shock, gas leakage, explosions, etc. caused by striking live wires, conduits or gas pipes.**
15. **Use only nails specified in this manual. The use of any other nails may cause malfunction of the tool.**
16. **Do not permit those uninstructed to use the tool.**
17. **Make sure no one is nearby before nailing. Never attempt to nail from both the inside and outside at the same time. Nails may rip through and/or fly off, presenting a grave danger.**
18. **Watch your footing and maintain your balance with the tool. Make sure there is no one below when working in high locations, and secure the air hose to prevent danger if there is sudden jerking or catching.**
19. **On rooftops and other high locations, nail as you move forward. It is easy to lose your footing if you nail while inching backward. When nailing against perpendicular surface, nail from the top to the bottom. You can perform nailing operations with less fatigue by doing so.**
20. **A nail will be bent or the tool can become jammed if you mistakenly nail on top of another nail or strike a knot in the wood. The nail may be thrown and hit someone, or the tool itself can react dangerously. Place the nails with care.**
21. **Do not point the ejection port at anyone in the vicinity. Keep hands and feet away from the ejection port area.**
 - Never carry the tool with your finger on the trigger or hand it to someone in this condition. Accidental firing can be extremely dangerous.
22. **Handle the tool carefully, as there is high pressure inside the tool that can be dangerous if a crack is caused by rough handling (dropping or striking). Do not attempt to carve or engrave on the tool.**
23. **Stop nailing operations immediately if you notice something wrong or out of the ordinary with the tool.**
 - Always remove the fuel cell, the battery cartridge and all of the nails:
 - When unattended.
 - Before performing any maintenance or repair.
 - Before cleaning a jam.
 - Before moving the tool to a new location.
24. **Perform cleaning and maintenance right after finishing the job. Keep the tool in tip-top condition. Lubricate moving parts to prevent rusting and minimize friction-related wear. Wipe off all dust from the parts.**
25. **Do not modify tool without authorization from Makita.**
26. **Do not attempt to keep the trigger or contact element depressed with tape or wire. Death or serious injury may occur.**
27. **Always check contact element as instructed in this manual. Nails may be driven accidentally if the safety mechanism is not working correctly.**
28. **Ask Makita's Authorized service centers for periodical inspection of the tool.**

29. To maintain product **SAFETY** and **RELIABILITY**, maintenance and repairs should be performed by **Makita Authorized or Factory Service Centers**, always using **Makita replacement parts**.

SAVE THESE INSTRUCTIONS.

⚠WARNING: MISUSE or failure to follow the safety rules stated in this instruction manual may cause serious personal injury.

Important safety instructions for battery cartridge

- Before using battery cartridge, read all instructions and cautionary markings on (1) battery charger, (2) battery, and (3) product using battery.
- Do not disassemble battery cartridge.
- If operating time has become excessively shorter, stop operating immediately. It may result in a risk of overheating, possible burns and even an explosion.
- If electrolyte gets into your eyes, rinse them out with clear water and seek medical attention right away. It may result in loss of your eyesight.
- Do not short the battery cartridge:
 - Do not touch the terminals with any conductive material.
 - Avoid storing battery cartridge in a container with other metal objects such as nails, coins, etc.
 - Do not expose battery cartridge to water or rain.

A battery short can cause a large current flow, overheating, possible burns and even a breakdown.

- Do not store the tool and battery cartridge in locations where the temperature may reach or exceed 50 °C (122 °F).
- Do not incinerate the battery cartridge even if it is severely damaged or is completely worn out. The battery cartridge can explode in a fire.
- Be careful not to drop or strike battery.
- Do not use a damaged battery.
- The contained lithium-ion batteries are subject to the Dangerous Goods Legislation requirements.

For commercial transports e.g. by third parties, forwarding agents, special requirement on packaging and labeling must be observed.

For preparation of the item being shipped, consulting an expert for hazardous material is required. Please also observe possibly more detailed national regulations.

Tape or mask off open contacts and pack up the battery in such a manner that it cannot move around in the packaging.

- Follow your local regulations relating to disposal of battery.

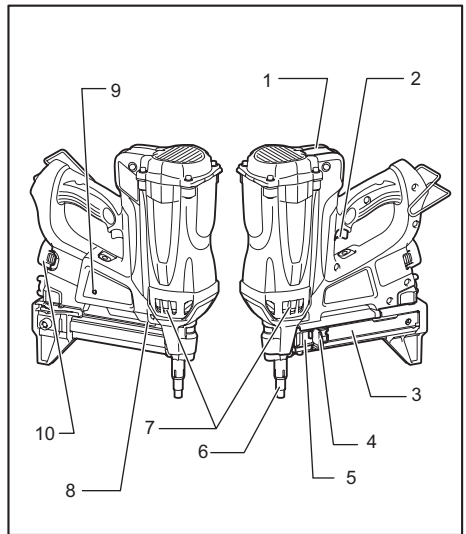
SAVE THESE INSTRUCTIONS.

⚠CAUTION: Only use genuine Makita batteries. Use of non-genuine Makita batteries, or batteries that have been altered, may result in the battery bursting causing fires, personal injury and damage. It will also void the Makita warranty for the Makita tool and charger.

Tips for maintaining maximum battery life

- Charge the battery cartridge before completely discharged. Always stop tool operation and charge the battery cartridge when you notice less tool power.
- Never recharge a fully charged battery cartridge. Overcharging shortens the battery service life.
- Charge the battery cartridge with room temperature at 10 °C - 40 °C (50 °F - 104 °F). Let a hot battery cartridge cool down before charging it.

Overview of the nailer



- 1. Fuel cover 2. Trigger 3. Magazine 4. Pusher lever
5. Pusher button 6. Contact element 7. Exhaust vent 8. Lamp 9. Indicating lamp 10. Battery cartridge

FUNCTIONAL DESCRIPTION

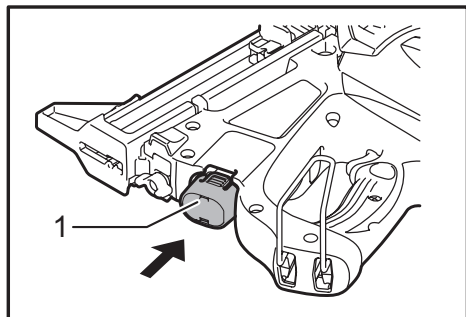
⚠ CAUTION:

- Always be sure to remove the fuel cell, the battery cartridge and nails before adjusting or checking function on the tool.

Installing or removing battery cartridge

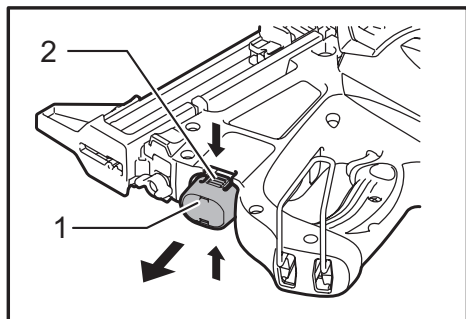
⚠ CAUTION:

- Always switch off the tool before installing or removing of the battery cartridge.
- **Hold the tool and the battery cartridge firmly when installing or removing battery cartridge.** Failure to hold the tool and the battery cartridge firmly may cause them to slip off your hands and result in damage to the tool and battery cartridge and a personal injury.



► 1. Battery cartridge

To install the battery cartridge, hold it so that the battery cartridge front shape fits to that of the battery installation opening and slip it into place. Insert it all the way until it locks in place with a little click.



► 1. Battery cartridge 2. Button

To remove the battery cartridge, withdraw it from the tool while pressing the both sides of the cartridge.

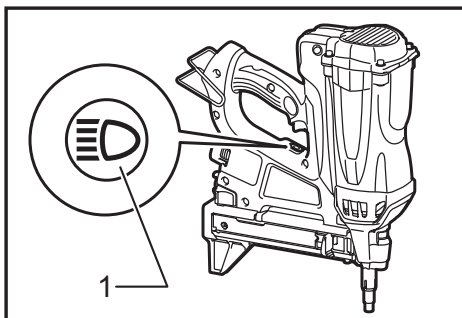
⚠ CAUTION:

- Always insert the battery cartridge all the way until it locks in place. If not, it may accidentally fall out of the tool, causing injury to you or someone around you.
- Do not install the battery cartridge forcibly. If the cartridge does not slide in easily, it is not being inserted correctly.

Lighting up the lamp

⚠ CAUTION:

- Do not look in the light or see the source of light directly.

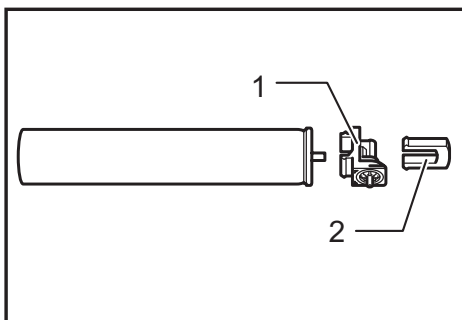


► 1. Lamp button

- To switch on the Lamp, press the lamp button. To switch off the lamp, press the lamp button again.

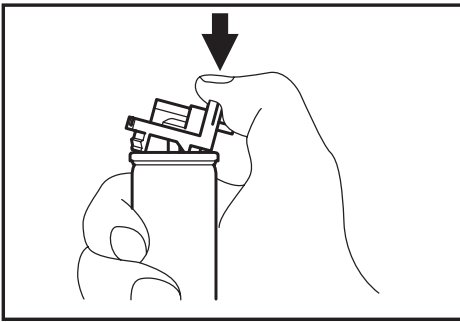
Fuel cell

Attaching the metering valve to the fuel cell

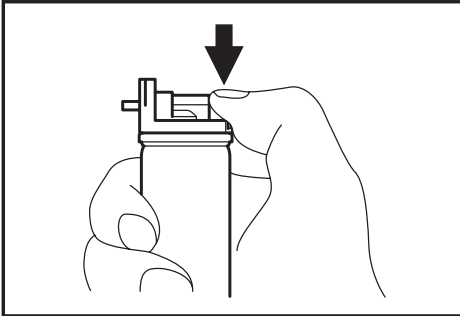


► 1. Metering valve 2. Cap

Detach the cap (in case the metering valve is provided with the cap).

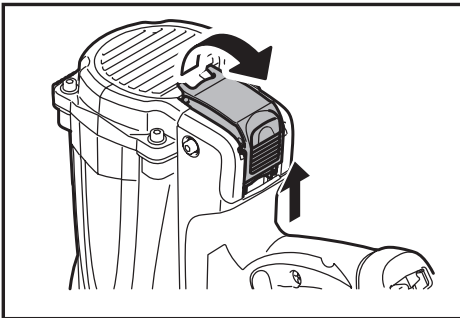


Push in the front edge.

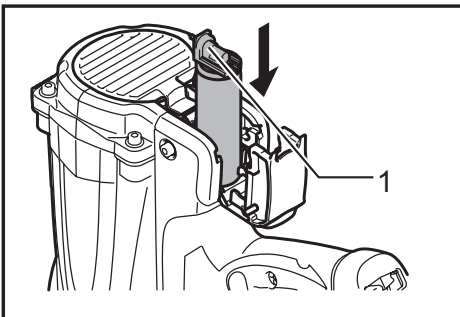


Push in the rear edge until it seats.

Inserting the fuel cell

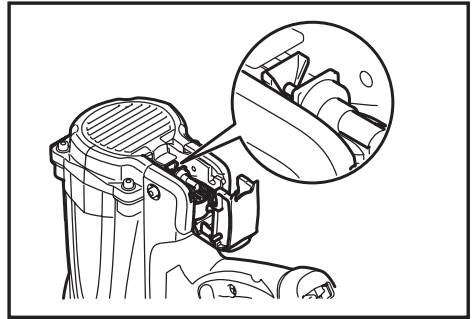


Push up and pull the fuel cover to open.

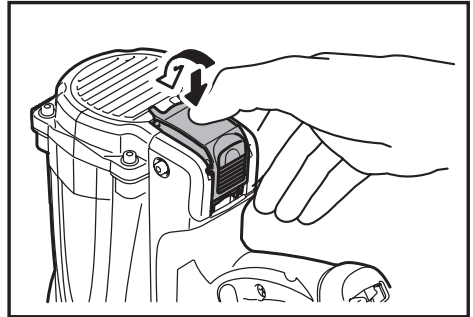


► 1. Jet nozzle

Insert the fuel cell directing the jet nozzle of the metering valve toward the adaptor.



Insert the jet nozzle into the small hole of the adapter properly.

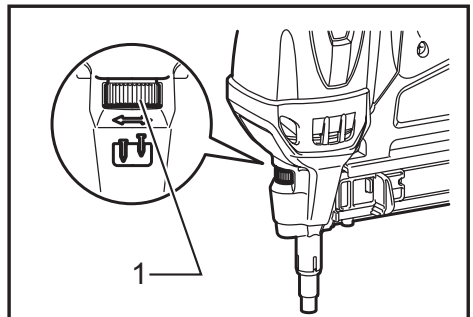


Put the fuel cover over the metering valve and push it down to latch.

Adjusting the nailing depth

⚠ CAUTION:

- Remove the fuel cell, the battery cartridge and nails before adjusting the depth of nailing.



► 1. Adjuster

To get shallower depth, turn the adjuster to right direction as shown in the figure. To get deeper depth, turn the adjuster to left direction.

Do not turn the adjuster too much, or the adjuster may get stuck.

Indication lamp

Color of the indication lamp means the followings.

Blinking green: Normal status

Blinking red: Need to recharge the battery cartridge

Lighting-up-red: Recharge the battery cartridge.

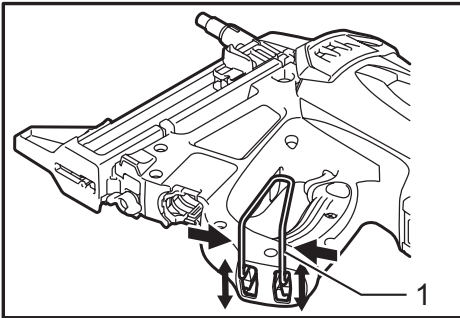
Nailing cannot be performed due to no remaining battery capacity.

Blinking orange: Thoroughly cleaning is recommended. Refer to the section "MAINTENANCE" to clean inside of the tool thoroughly. To reset the orange blinking of the indicator lamp, push the contact element for five seconds, and then push the contact element five times.

Blinking orange after blinking green and red alternately: Fault detection is running. Remove and reinsert the battery cartridge to reset. If fault detection is running again, it is malfunction condition. Ask your local Makita service center to repair it.

Hook

CAUTION: Always remove the battery when hanging the tool. Do not hang the tool to your belt.



▶ 1. Hook

The hook is convenient for hanging the tool temporarily. The hook can be set in two positions according to where the tool will be hung.

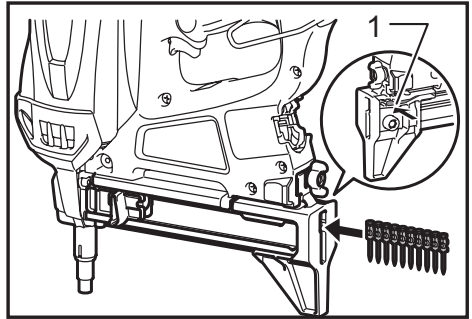
To change the hook position, push its feet in from both sides and shift to another position.

ASSEMBLY

CAUTION:

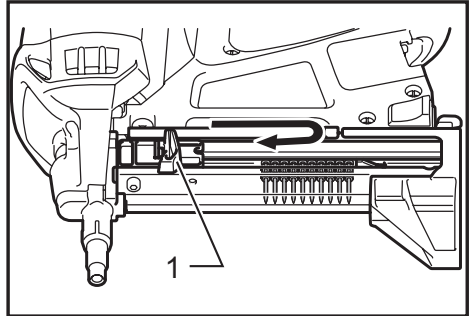
- Always remove the fuel cell and the battery cartridge before carrying out any work on the tool.

Loading the nailer



▶ 1. Button

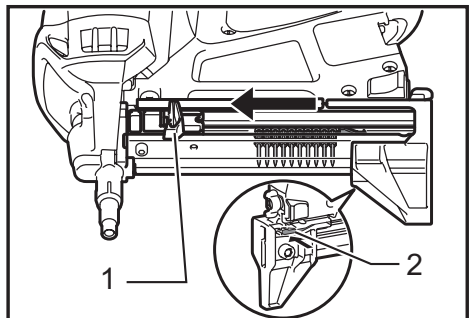
Insert a strip of nails into the slit in the rear of the magazine. The nails stop at the entrance of the magazine because of the nail stopper. Unlock the magazine by pressing the button of the nail stopper to insert the nails.



▶ 1. Pusher lever

Pull the pusher lever with pressing the pusher button all the way to the rear of the magazine. Then release the pusher button, and return the pusher lever to the end of the strip gently.

Removing nails

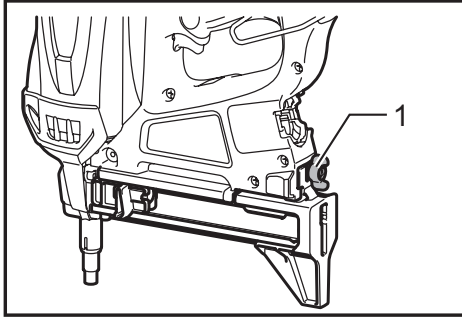


▶ 1. Pusher lever 2. Nail stopper

Pull the pusher lever and push the pusher button to release the nail supporter, and then return the pusher lever to the top with pushing the pusher button.

Slide the nails toward the rear of the magazine. The nails stop at the entrance of the magazine because of the nail stopper. Unlock the magazine by pressing the button of the nail stopper to remove the nails.

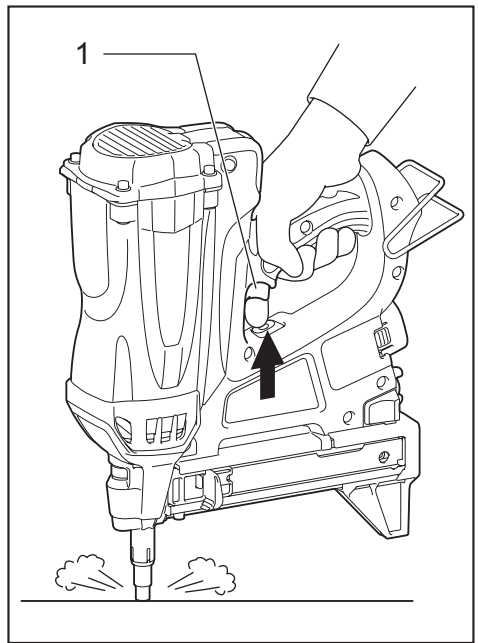
Changing the magazine (optional accessory)



► 1. Bolt

A magazine with different length is available as optional accessory.

To change the magazine, loosen the bolt and remove the magazine. Then install the new magazine. And fasten the bolt on the magazine.



► 1. Trigger

2. Hold the contact element pressing firmly and pull the trigger.
Fuel gas is combusted and the nail is driven.
3. Further driving can be initiated only after both the contact element and the trigger are released.

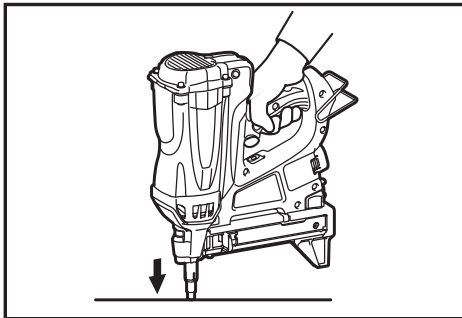
OPERATION

⚠ WARNING:

- Do not touch around the exhaust vent. The surface will be very hot during or after an operation. Touching around the exhaust vent may cause burns or injuries.

⚠ CAUTION:

- Make sure all safety systems are in working order before operation.



1. To drive a nail, place the contact element against the workpiece.

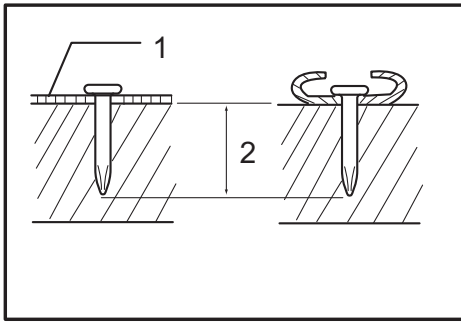
The fan motor is activated, fuel gas is injected into combustion chamber and mixed with air by the fan.

Nail-driving of concrete

⚠ WARNING:

- Use hardened nails only for concrete. Using other purposed nails may cause serious injuries. Do not nail directly on the concrete. Failure to do so may cause concrete fragments to fly off or nails to strike back, causing serious injuries.
- When driving nails, hold the tool so that it stands upright to the driving surface. Slanted nail-driving may cause concrete fragments to fly off or nails to strike back, causing serious injuries.
- Do not use the tool on the surface that objects hang from, such as area where hangers for sewer pipe, dust pipe etc. are set up

Choose and use appropriate nails so that the penetration amount into concrete ranges 15 mm (9/16") - 20 mm (13/16").



► 1. Thin steel plate 2. Penetration amount into concrete

⚠ CAUTION:

- Use this tool only for soft concrete built up not so long before. Using on the hard concrete may cause nail bending or nail-driving to insufficient depth.
- When the penetration amount into concrete is required more than 20 mm (13/16"), driving nails to the sufficient length may not be obtained. Nails may be driven too shallow causing unstable workpiece, resulting in personal injury and damage to property.

Anti dry fire mechanism

This mechanism prevents the tool from firing without nail.

Dry fire prevention automatically functions when the rest of nails get to the last 2-3 pieces.

Jammed nailer

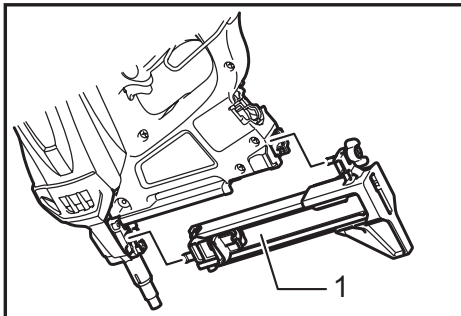
⚠ WARNING:

- Always be sure to remove the fuel cell and the battery cartridge before clearing a jam.

⚠ CAUTION:

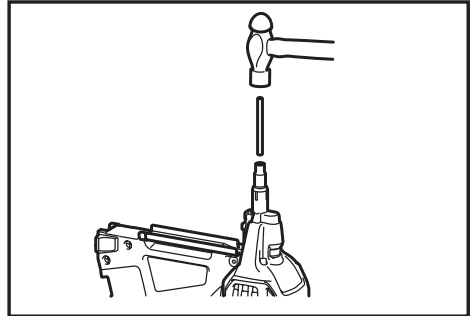
- Do not use deformed nails or nail strip. Failure to do so causes poor nail feeding.

Follow the removing nail procedure and remove the jammed nails.

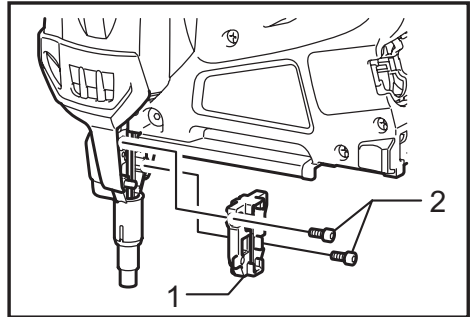


► 1. Magazine

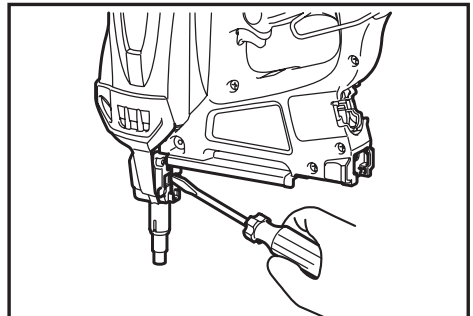
Remove the fuel cell, the battery cartridge and nails. Loosen the bolt on the magazine. Remove the magazine and remove the jammed nails.



If the nails cannot be removed after performing above method, do as follows. Insert a small rod or the like into the ejection port and tap it with a hammer to drive out the jammed nails from the ejection port.



► 1. Under driver guide 2. Bolt



If the nails still remain in the ejection port, do as follows. Loosen the bolts on the ejecting port by using a hex wrench. Remove the under driver guide. And remove the jammed nails. Return the under driver guide and tighten the bolts after the jammed nails are removed. Return the magazine and tighten the bolt.

MAINTENANCE

⚠ CAUTION:

- Always remove the fuel cell, the battery cartridge and nails before attempting to perform inspection or maintenance.
- Never use gasoline, benzene, thinner, alcohol or the like. Discoloration, deformation or cracks may result.

Maintenance after daily work

At the end of daily work, conduct an end-of-workday routine. These simple steps are based on maintaining the safety and performance of the tool.

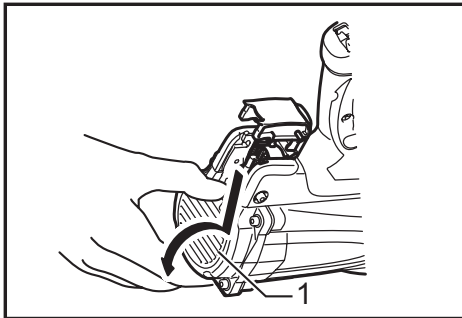
Before leaving the work site:

- Remove the battery cartridge and store in a tool-carrying case. Always use the tool-carrying case for transporting and storing the tool.
- Dispose of all empty cells where they will not be found by children, crushed, punctured or burned.

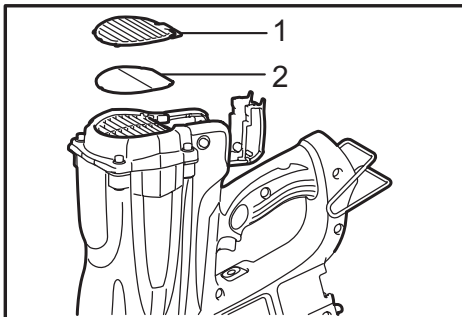
When you get home:

- Place the battery cartridge in its charger if it needs charging as indicated by the red indication lamp.
- Wipe the tool with a clean, soft cloth.
- Check the filter and clean if it is dusty.

Cleaning the air filter



▶ 1. Filter cover



▶ 1. Filter cover 2. Filter

Press slightly up the filter cover and remove it. And then simply lift out the filter.

Tap the filter lightly to remove any dust. Soap and water restores the filter to an almost new condition. To maintain product SAFETY and RELIABILITY, repairs, any other maintenance or adjustment should be performed by Makita Authorized or Factory Service Centers, always using Makita replacement parts.

Thoroughly cleaning

If dry fires occur frequently, which means the tool is needed to be cleaned thoroughly. See the accompanying cleaning guide for detail, and perform the cleaning. If you have any questions regarding to cleaning, please ask your local Makita Service Center.

OPTIONAL ACCESSORIES

⚠ CAUTION:

- These accessories or attachments are recommended for use with your Makita tool specified in this manual. The use of any other accessories or attachments might present a risk of injury to persons. Only use accessory or attachment for its stated purpose.

If you need any assistance for more details regarding these accessories, ask your local Makita Service Center.

- Nails
- Magazine
- Safety goggles
- Fuel cell
- Cleaning kit
- Makita genuine battery and charger

NOTE:

- Some items in the list may be included in the tool package as standard accessories. They may differ from country to country.

MAKITA LIMITED ONE YEAR WARRANTY

Warranty Policy

Every Makita tool is thoroughly inspected and tested before leaving the factory. It is warranted to be free of defects from workmanship and materials for the period of ONE YEAR from the date of original purchase. Should any trouble develop during this one year period, return the COMPLETE tool, freight prepaid, to one of Makita's Factory or Authorized Service Centers. If inspection shows the trouble is caused by defective workmanship or material, Makita will repair (or at our option, replace) without charge. This Warranty does not apply where:

- repairs have been made or attempted by others:
- repairs are required because of normal wear and tear:
- the tool has been abused, misused or improperly maintained:
- alterations have been made to the tool.

IN NO EVENT SHALL MAKITA BE LIABLE FOR ANY INDIRECT, INCIDENTAL OR CONSEQUENTIAL DAMAGES FROM THE SALE OR USE OF THE PRODUCT. THIS DISCLAIMER APPLIES BOTH DURING AND AFTER THE TERM OF THIS WARRANTY.

MAKITA DISCLAIMS LIABILITY FOR ANY IMPLIED WARRANTIES, INCLUDING IMPLIED WARRANTIES OF "MERCHANTABILITY" AND "FITNESS FOR A SPECIFIC PURPOSE," AFTER THE ONE YEAR TERM OF THIS WARRANTY.

This Warranty gives you specific legal rights, and you may also have other rights which vary from state to state. Some states do not allow the exclusion or limitation of incidental or consequential damages, so the above limitation or exclusion may not apply to you. Some states do not allow limitation on how long an implied warranty lasts, so the above limitation may not apply to you.

SPÉCIFICATIONS

Modèle	GN01
Capacité de clouage	20 clous (2 bandes)
Dimensions (L x P x H)	315 mm (12 - 3/8") X 108 mm (4 - 1/4") X 390 mm (15 - 3/8")
Poids net	3,6 kg (7,9 lbs)
Longueur de clou X Diamètre de la tige	Clous L : 15 mm - 40 mm (5/8" - 1-9/16") d : 2,6 mm - 3,1 mm (.102" - .122")
Tension nominale	C.C. 7,2 V
Batteries standard	BL7010 / BL0715

- Étant donné l'évolution constante de notre programme de recherche et de développement, les spécifications contenues dans ce manuel sont sujettes à modification sans préavis.
- Les caractéristiques techniques et la batterie peuvent varier suivant les pays.
- Poids, batterie comprise, conforme à la procédure EPTA de 01/2003

Symboles

Les symboles utilisés pour l'outil sont indiqués ci-dessous.

	Veillez lire les étiquettes et le manuel, en vous assurant d'en avoir bien compris le contenu.
	L'utilisateur et toute personne présente dans la zone de travail doivent porter des lunettes de sécurité avec protecteurs latéraux.
	Pour éviter le déclenchement accidentel de l'outil, ne placez pas les doigts près de la gâchette lorsque vous n'êtes pas en train de clouer.
V	volts
	courant continu
	Contenant sous pression. Tenez à l'écart des températures supérieures à 50 °C (par ex. des rayons du soleil). Conservez le contenant dans un endroit bien ventilé.
	Utilisez seulement à l'extérieur ou dans les endroits bien ventilés. N'inhaliez pas le gaz.
	N'utilisez pas à proximité de flammes et ne vaporisez pas sur des surfaces chauffées. Lors de l'utilisation, formation possible de mélange vapeur/air inflammable/explosif
	Évitez d'endommager le contenant, de le perforer ou de le brûler après l'utilisation.
	Utilisez uniquement l'outil dans une zone bien aérée, pour éviter de souffrir de nausées ou d'une perte de connaissance. N'utilisez jamais l'outil dans une atmosphère combustible. L'échappement de l'outil peut enflammer les matériaux inflammables.
	N'utilisez pas l'outil sur des échafaudages ou des échelles.



Avertissement : surface brûlante !
Ne touchez pas les parties de l'appareil se trouvant à proximité de ce symbole. Tout contact avec cette surface peut entraîner des brûlures ou blessures.

Consignes de sécurité générales pour outils électriques

MISE EN GARDE Veuillez lire toutes les mises en garde de sécurité et toutes les instructions. L'ignorance des mises en garde et des instructions comporte un risque de choc électrique, d'incendie et/ou de blessure grave.

Conservez toutes les mises en garde et instructions pour référence future.

Le terme « outil électrique » qui figure dans les avertissements fait référence à un outil électrique branché sur une prise de courant (par un cordon d'alimentation) ou alimenté par batterie (sans fil).

Sécurité de la zone de travail

1. **Maintenez la zone de travail propre et bien éclairée.** Les zones de travail encombrées ou sombres ouvrent grande la porte aux accidents.
2. **N'utilisez pas les outils électriques dans les atmosphères explosives, par exemple en présence de liquides, gaz ou poussières inflammables.** Les outils électriques produisent des étincelles au contact desquelles la poussière ou les vapeurs peuvent s'enflammer.
3. **Assurez-vous qu'aucun enfant ou curieux ne s'approche pendant que vous utilisez un outil électrique.** Vous risquez de perdre la maîtrise de l'outil si votre attention est détournée.

Sécurité en matière d'électricité

4. **Les fiches d'outil électrique sont conçues pour s'adapter parfaitement aux prises de courant. Ne modifiez jamais la fiche de quelque façon que ce soit. N'utilisez aucun adaptateur de fiche sur les outils électriques avec mise à la terre.** En ne modifiant pas les fiches et en les insérant dans des prises de courant pour lesquelles elles ont été conçues vous réduirez les risques de choc électrique.

5. **Évitez tout contact corporel avec les surfaces mises à la terre, telles que les tuyaux, radiateurs, cuisinières et réfrigérateurs.** Le risque de choc électrique est plus élevé si votre corps se trouve mis à la terre.
6. **N'exposez pas les outils électriques à la pluie ou à l'eau.** La présence d'eau dans un outil électrique augmente le risque de choc électrique.
7. **Ne maltraitez pas le cordon. N'utilisez jamais le cordon pour transporter, tirer ou débrancher l'outil électrique.** Maintenez le cordon à l'écart des sources de chaleur, de l'huile, des objets à bords tranchants et des pièces en mouvement. Le risque de choc électrique est plus élevé lorsque les cordons sont endommagés ou enchevêtrés.
8. **Lorsque vous utilisez un outil électrique à l'extérieur, utilisez un cordon prolongateur prévu à cette fin.** Les risques de choc électrique sont moindres lorsqu'un cordon conçu pour l'extérieur est utilisé.
9. **Si vous devez utiliser un outil électrique dans un endroit humide, utilisez une source d'alimentation protégée par un disjoncteur de fuite à la terre.** L'utilisation d'un disjoncteur de fuite à la terre réduit le risque de choc électrique.

Sécurité personnelle

10. **Restez alerte, attentif à vos mouvements et faites preuve de bon sens lorsque vous utilisez un outil électrique.** Évitez d'utiliser un outil électrique si vous êtes fatigué ou si vous avez pris une drogue, de l'alcool ou un médicament. Un moment d'inattention pendant l'utilisation d'un outil électrique peut entraîner une grave blessure.
11. **Portez des dispositifs de protection personnelle. Portez toujours un protecteur pour la vue.** Les risques de blessure seront moins élevés si vous utilisez des dispositifs de protection tels qu'un masque anti-poussières, des chaussures à semelle antidérapante, une coiffure résistante ou une protection d'oreilles.
12. **Évitez les démarrages accidentels. Assurez-vous que l'interrupteur soit en position d'arrêt avant de brancher l'outil à la prise électrique et/ou au bloc-piles, avant de prendre ou de transporter l'outil.** Vous ouvrez la porte aux accidents si vous transportez les outils électriques avec le doigt sur l'interrupteur ou si vous les branchez alors que l'interrupteur est en position de marche.
13. **Retirez toute clé de réglage ou de serrage avant de mettre l'outil sous tension.** Toute clé laissée en place sur une pièce rotative de l'outil électrique peut entraîner une blessure.
14. **Maintenez une bonne position. Assurez-vous d'une bonne prise au sol et d'une bonne position d'équilibre en tout temps.** Cela vous permettra d'avoir une meilleure maîtrise de l'outil dans les situations imprévues.
15. **Portez des vêtements adéquats. Ne portez ni vêtements amples ni bijoux. Vous devez maintenir cheveux, vêtements et gants à l'écart des pièces en mouvement.** Les pièces en mouvement peuvent happer les vêtements amples, les bijoux et les cheveux longs.
16. **Si des accessoires sont fournis pour raccorder un appareil d'aspiration et de collecte de la poussière, assurez-vous qu'ils sont correctement raccordés et qu'ils sont utilisés de manière adéquate.** L'utilisation d'un appareil d'aspiration permet de réduire les risques liés à la présence de poussière dans l'air.

Utilisation et entretien des outils électriques

17. **Ne forcez pas l'outil électrique. Utilisez l'outil électrique adéquat suivant le type de travail à effectuer.** Si vous utilisez l'outil électrique adéquat et respectez le régime pour lequel il a été conçu, il effectuera un travail de meilleure qualité et de façon plus sécuritaire.
 18. **N'utilisez pas l'outil électrique s'il n'est pas possible de mettre sa gâchette en position de marche et d'arrêt.** Un outil électrique dont l'interrupteur est défectueux représente un danger et doit être réparé.
 19. **Débranchez la fiche de la source d'alimentation et/ou retirez le bloc-piles de l'outil électrique avant d'effectuer tout réglage, de changer un accessoire ou de ranger l'outil électrique.** De telles mesures préventives réduisent les risques de démarrage accidentel de l'outil électrique.
 20. **Après l'utilisation d'un outil électrique, rangez-le hors de portée des enfants et ne laissez aucune personne l'utiliser si elle n'est pas familiarisée avec l'outil électrique ou les présentes instructions d'utilisation.** Les outils électriques représentent un danger entre les mains de personnes qui n'en connaissent pas le mode d'utilisation.
 21. **Veillez à l'entretien des outils électriques. Assurez-vous que les pièces mobiles ne sont pas désalignées ou coincées, qu'aucune pièce n'est cassée et que l'outil électrique n'a subi aucun dommage affectant son bon fonctionnement. Le cas échéant, faites réparer l'outil électrique avant de l'utiliser.** De nombreux accidents sont causés par des outils électriques mal entretenus.
 22. **Maintenez les outils tranchants bien aiguisés et propres.** Un outil tranchant dont l'entretien est effectué correctement et dont les bords sont bien aiguisés risquera moins de se coincer et sera plus facile à maîtriser.
 23. **Utilisez l'outil électrique, ses accessoires, ses embouts, etc., en respectant les présentes instructions, en tenant compte des conditions de travail et du type de travail à effectuer.** L'utilisation d'un outil électrique à des fins autres que celles prévues peut entraîner une situation dangereuse.
- #### Utilisation et entretien des outils alimentés par batterie
24. **Pour recharger, utilisez uniquement le chargeur spécifié par le fabricant.** L'utilisation d'un chargeur conçu pour un type donné de bloc-piles comporte un risque d'incendie lorsqu'il est utilisé avec un autre type de bloc-piles.
 25. **N'utilisez un outil électrique qu'avec le bloc-piles conçu spécifiquement pour cet outil.** Il y a un risque de blessure ou d'incendie si un autre bloc-piles est utilisé.
 26. **Lorsque vous n'utilisez pas le bloc-piles, rangez-le à l'écart des objets métalliques tels que trombones, pièces de monnaie, clés, clous, vis ou autres petits objets métalliques qui risquent d'établir une connexion entre les bornes.** La mise en court-circuit des bornes de batterie peut causer des brûlures ou un incendie.
 27. **Dans des conditions d'utilisation inadéquates de la batterie, il peut y avoir fuite d'électrolyte; évitez tout contact avec ce liquide.** En cas de contact accidentel, rincez avec beaucoup d'eau. Si le liquide pénètre dans vos yeux, il faut aussi consulter un médecin. L'électrolyte qui s'échappe de la batterie peut causer des irritations ou des brûlures.

Réparation

28. Faites réparer votre outil électrique par un réparateur qualifié qui utilise des pièces de rechange identiques aux pièces d'origine. Le maintien de la sûreté de l'outil électrique sera ainsi assuré.
29. Suivez les instructions de lubrification et de changement des accessoires.
30. Maintenez les poignées de l'outil sèches, propres et exemptes d'huile ou de graisse.

CONSIGNES DE SÉCURITÉ IMPORTANTES

AVERTISSEMENT : PAR MESURE DE SÉCURITÉ, DES PRÉCAUTIONS DE BASE DOIVENT ÊTRE PRISES LORS DE L'UTILISATION DE CET OUTIL, AFIN DE RÉDUIRE LES RISQUES DE BLESSURE. CES PRÉCAUTIONS COMPRENNENT LES SUIVANTES :

LISEZ TOUTES LES INSTRUCTIONS.

1. Par mesure de sécurité personnelle et pour assurer une utilisation et un entretien adéquats, veuillez lire ce manuel d'instructions avant d'utiliser l'outil.
 - Utilisez l'outil seulement avec les piles à combustible d'origine Makita.
 - N'utilisez jamais l'outil dans une zone fermée ou mal ventilée.
2. Portez toujours des lunettes de sécurité pour protéger vos yeux contre toute blessure au contact de la poussière ou d'un clou. Les lunettes de sécurité doivent répondre aux exigences de la norme ANSI Z87.1.

AVERTISSEMENT :
L'employeur a la responsabilité d'imposer le port d'un dispositif de protection des yeux aux utilisateurs des outils et à toute personne présente dans la zone de travail.
3. Portez une protection d'oreilles pour les protéger contre le bruit, et portez un casque de sécurité. Les vêtements portés doivent être légers et ne doivent pas être amples. Veuillez boutonner ou rouler vos manches. Ne portez pas de cravate.
4. Il est dangereux de travailler trop vite ou d'appliquer une charge de travail excessive à l'outil. Manipulez l'outil avec soin. N'utilisez pas l'outil si vous avez consommé de l'alcool, une drogue ou des médicaments, etc.
5. Conseils généraux pour l'utilisation des outils :
 - Gardez toujours à l'esprit que l'outil contient des clous.
 - L'outil ne doit jamais être pointé vers vous-même ou vers une autre personne, qu'il contienne ou non des clous.
 - Ne mettez pas l'outil en marche avant qu'il ne soit fermement placé sur la pièce à travailler.
 - Respectez votre outil en tant qu'instrument de travail.
 - Évitez tout chahut.
 - L'outil ne doit jamais être saisi ou transporté en posant un doigt sur la gâchette.

- Ne mettez jamais de clous dans l'outil alors que l'une de ses commandes est activée.
 - Ne branchez jamais l'outil sur une source d'alimentation autre que celle spécifiée dans les instructions d'utilisation/sécurité qu'il l'accompagne.
6. Tout outil défectueux ne doit pas être utilisé.
 7. Des étincelles s'échappent parfois de l'outil pendant son utilisation. N'utilisez pas l'outil près de substances ou matériaux volatiles ou inflammables tels que l'essence, le diluant, la peinture, le gaz, les adhésifs, etc. Ils risqueraient de prendre feu, d'exploser et de causer une blessure grave.
 8. L'aire de travail doit être suffisamment éclairée pour assurer la sécurité du travail. L'aire de travail doit être maintenue propre et exempte de déchets. Veillez particulièrement à maintenir une bonne assise et une bonne position d'équilibre.
 9. Seules les personnes qui participent au travail doivent pénétrer dans la zone de travail. Les enfants, tout particulièrement, doivent être maintenus à l'écart en tout temps.
 10. Il se peut que des réglementations locales s'appliquent concernant les niveaux de bruit permis. Veillez les respecter. Le cas échéant, des volets doivent être installés pour réduire le bruit.
 11. Ne modifiez pas l'élément de contact. Il permet de prévenir toute décharge accidentelle et doit donc être laissé en place. Il est également très dangereux de fixer la gâchette en position de marche. Il ne faut jamais essayer d'immobiliser la gâchette. N'utilisez jamais un outil dont une des commandes est inutilisable, déconnectée, modifiée ou ne fonctionne pas correctement.
 12. Avant d'utiliser l'outil, assurez-vous qu'il est en bon état et qu'aucune de ses vis n'est desserrée. Le cas échéant, serrez les vis.
 13. Assurez-vous que tous les dispositifs de sécurité sont en état de fonctionner avant d'utiliser l'outil. Il ne faut pas que l'outil s'active lorsque vous appuyez uniquement sur la gâchette ou appuyez simplement l'élément de contact contre le bois. La cloueuse ne doit fonctionner que si ces deux actions sont réalisées. Retirez les clous de l'outil et tirez complètement le poussoir pour vérifier l'absence de tout vice de fonctionnement.
 14. Pour éviter tout risque de choc électrique, de fuite de gaz, d'explosion, etc., provoqué par le contact avec des fils dénudés, des conduites ou des tuyaux de gaz, vérifiez le mur ou le plafond, le plancher, le toit, etc.
 15. Utilisez uniquement les clous spécifiés dans ce manuel. L'outil risque de mal fonctionner si vous utilisez tout autre type de clou.
 16. Seules les personnes ayant pris connaissance du fonctionnement de l'outil doivent être autorisées à l'utiliser.
 17. Avant de procéder au clouage, assurez-vous que personne ne se trouve près de vous. N'essayez jamais de clouer une pièce en même temps des côtés intérieur et extérieur. Cela est très dangereux, puisque les clous risquent alors de défoncer la pièce ou d'être projetés.

18. Regardez où vous posez les pieds et assurez-vous d'un bon équilibre pendant l'utilisation de l'outil. Assurez-vous qu'il n'y a personne au-dessous de vous lorsque vous travaillez dans un endroit élevé, et fixez le tuyau d'air de sorte qu'il ne risque pas de se détacher s'il est secoué ou s'il se coince.
19. Sur les toits et autres endroits élevés, clouez en vous déplaçant vers l'avant. Vous risquez de perdre pied si vous clouez en vous déplaçant à reculons. Lorsque vous clouez sur une surface verticale, faites-le du haut vers le bas. De cette façon le travail de clouage sera moins exigeant physiquement.
20. Le clou risque de se plier ou l'outil de se bloquer si vous clouez par inadvertance dans un nœud ou sur un autre clou. Le clou risque alors d'être projeté et de frapper quelqu'un, ou bien l'outil lui-même risque de réagir de manière dangereuse. Choisissez l'emplacement des clous avec soin.
21. Ne pointez jamais la sortie d'éjection vers une personne se trouvant à proximité. Gardez les mains et les pieds à l'écart de la zone de la sortie d'éjection.
- Ne transportez jamais l'outil en tenant le doigt sur la gâchette et ne le remettez jamais à une personne de cette façon. L'éjection accidentelle de clous peut être extrêmement dangereuse.
22. Manipulez l'outil prudemment. La pression élevée à l'intérieur de l'outil représente un danger si une fissure est provoquée par un manipulation brusque (si vous échappez ou heurtez l'outil). Ne tentez jamais de tailler ou graver une inscription sur l'outil.
23. Cessez immédiatement le clouage si vous notez une anomalie ou un fonctionnement inhabituel de l'outil.
- Retirez toujours la pile à combustible, la batterie, ainsi que tous les clous :
 - Lorsque vous laissez l'outil sans surveillance.
 - Avant de réaliser tout travail d'entretien ou toute réparation.
 - Avant de débloquer un clou.
 - Avant de transporter l'outil d'un endroit à l'autre.
24. Procédez au nettoyage et à l'entretien de l'outil une fois le travail terminé. Maintenez l'outil en excellente condition. Lubrifiez les pièces mobiles pour éviter qu'elles ne rouillent et pour limiter l'usure entraînée par la friction. Retirez toute poussière déposée sur les pièces.
25. Ne modifiez pas l'outil sans l'autorisation de Makita.
26. N'essayez pas de maintenir en position enfoncée la gâchette ou l'élément de contact avec un bout de ruban adhésif ou de fil. Il y a un risque de décès ou de blessure grave.
27. Vérifiez toujours l'élément de contact, tel qu'indiqué dans ce manuel. Des clous risquent d'être projetés par accident si le mécanisme de sécurité ne fonctionne pas correctement.
28. Confiez régulièrement l'outil à un centre de service après-vente agréé Makita pour une inspection.
29. Pour maintenir la SÉCURITÉ et la FIABILITÉ de l'outil, son entretien et sa réparation doivent être effectués dans un centre de service après-vente agréé Makita, exclusivement avec des pièces de rechange Makita.

CONSERVEZ CE MODE D'EMPLOI.

⚠ MISE EN GARDE : Une MAUVAISE UTILISATION de l'outil ou l'ignorance des consignes de sécurité du présent manuel d'instructions peuvent entraîner une grave blessure.

Consignes de sécurité importantes pour la batterie

1. Avant d'utiliser la batterie, lisez toutes les instructions et les mises en garde apposées sur (1) le chargeur de batterie, (2) la batterie et (3) le produit utilisant la batterie.
2. Ne démontez pas la batterie.
3. Cessez immédiatement l'utilisation si le temps de fonctionnement devient excessivement court. Il y a un risque de surchauffe, de brûlures, voire d'explosion.
4. Si l'électrolyte pénètre dans vos yeux, rincez-les à l'eau claire et consultez immédiatement un médecin. Il y a un risque de perte de la vue.
5. Ne court-circuitez pas la batterie :
 - (1) Ne touchez les bornes avec aucun matériau conducteur.
 - (2) Évitez de ranger la batterie dans un conteneur avec d'autres objets métalliques tels que clous, pièces de monnaie, etc.
 - (3) Évitez d'exposer la batterie à l'eau ou à la pluie.

Un court-circuit de la batterie pourrait provoquer un fort courant, une surchauffe, parfois des brûlures et même une panne.
6. Ne rangez pas l'outil ou la batterie dans des emplacements où la température peut atteindre ou dépasser 50 °C (122 °F).
7. Ne jetez pas la batterie au feu même si elle est sérieusement endommagée ou complètement épuisée. La batterie peut exploser au contact du feu.
8. Prenez garde d'échapper ou de heurter la batterie.
9. N'utilisez pas une batterie si elle est endommagée.
10. Les batteries lithium-ion fournies sont soumises aux exigences de la législation sur les marchandises dangereuses. Des exigences particulières sur l'emballage et l'étiquetage doivent être respectées lors du transport commercial par des tiers, des transitaires, etc. Pour préparer la marchandise à expédier, consultez un expert en matériaux dangereux si nécessaire. Respectez aussi les éventuelles réglementations nationales plus détaillées.

Recouvrez de ruban isolant les contacts exposés, et emballez la batterie de sorte qu'elle ne puisse pas se déplacer à l'intérieur de l'emballage.

11. Suivez la réglementation locale concernant l'élimination de la batterie.

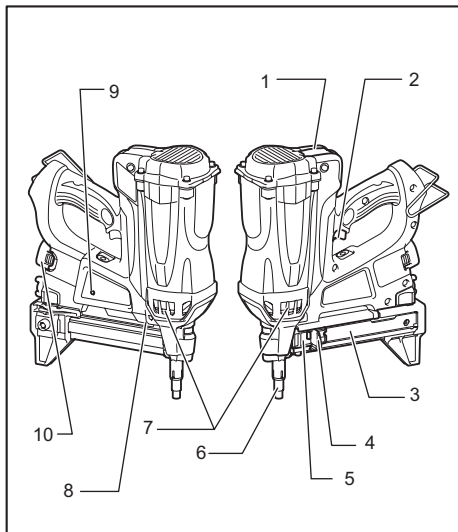
CONSERVEZ CES INSTRUCTIONS.

ATTENTION : Utilisez exclusivement les batteries fabriquées par Makita. Les batteries autres que celles fabriquées par Makita ou les batteries modifiées peuvent exploser et causer un incendie, une blessure ou des dommages. Cela annule aussi la garantie Makita de l'outil et du chargeur Makita.

Conseils pour maintenir la durée de service maximale de la batterie

1. Rechargez la batterie avant qu'elle ne soit complètement déchargée. Arrêtez toujours l'outil et rechargez la batterie quand vous remarquez que la puissance de l'outil diminue.
2. Ne rechargez jamais une batterie complètement chargée. La surcharge réduit la durée de service de la batterie.
3. Chargez la batterie à une température ambiante comprise entre 10 °C et 40 °C (50 °F et 104 °F). Si la batterie est chaude, laissez-la refroidir avant de la charger.

Aperçu de la cloueuse



1. Couvercle du combustible 2. Gâchette 3. Magasin 4. Levier-poussoir 5. Bouton-poussoir 6. Élément de contact 7. Orifice de sortie d'air 8. Lampe 9. Lampe indicatrice 10. Batterie

DESCRIPTION DU FONCTIONNEMENT

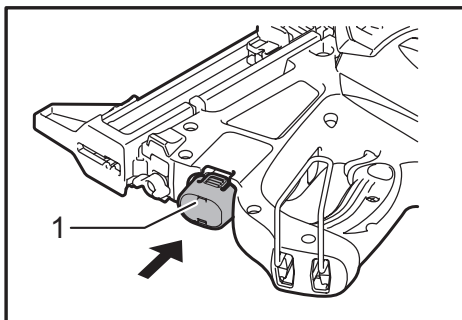
ATTENTION :

- Assurez-vous toujours de retirer la pile à combustible, la batterie et les clous avant d'effectuer tout ajustement ou toute vérification sur l'outil.

Installation ou retrait de la batterie

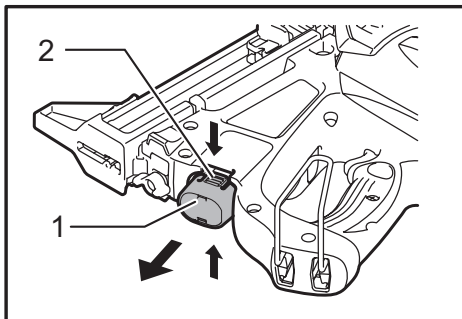
ATTENTION :

- Mettez toujours l'appareil hors tension avant d'installer ou de retirer la batterie.
- Tenez fermement l'outil et la batterie lors de l'installation ou du retrait de cette dernière. Sinon, l'outil et la batterie pourraient vous glisser des mains, ce qui risque d'endommager l'outil et la batterie, ou encore de provoquer des blessures.



1. Batterie

Pour installer la batterie, tenez-la de sorte que la forme de sa face avant corresponde à celle de l'ouverture du logement à batterie, et glissez-la en place. Insérez-la à fond jusqu'à ce que vous entendiez un clic.



1. Batterie 2. Bouton

Pour retirer la batterie, enlevez-la de l'outil tout en appuyant des deux côtés de la batterie.

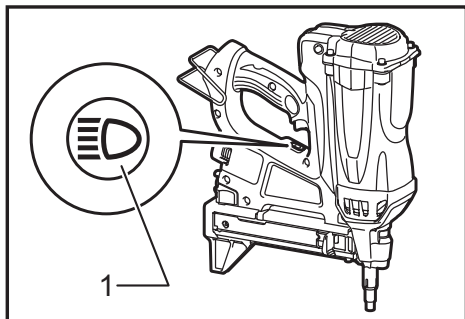
ATTENTION :

- Insérez toujours la batterie jusqu'au fond, jusqu'à ce qu'elle verrouille en place. Sinon, elle risque de tomber accidentellement de l'outil, en vous blessant ou en blessant une personne se trouvant près de vous.
- Ne forcez pas sur la batterie pour l'installer. Si la batterie ne glisse pas facilement, c'est qu'elle n'est pas insérée correctement.

Allumage de la lampe

ATTENTION :

- Evitez de regarder directement le faisceau lumineux ou sa source.

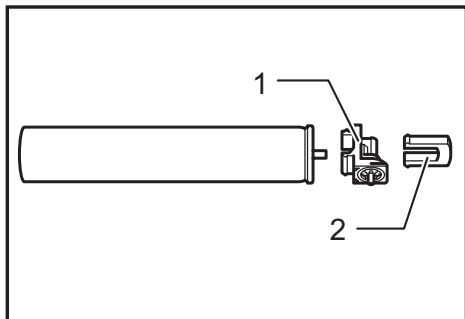


► 1. Bouton de la lampe

- Pour allumer la lampe, appuyez sur le bouton de la lampe. Pour éteindre la lampe, appuyez de nouveau sur le bouton de la lampe.

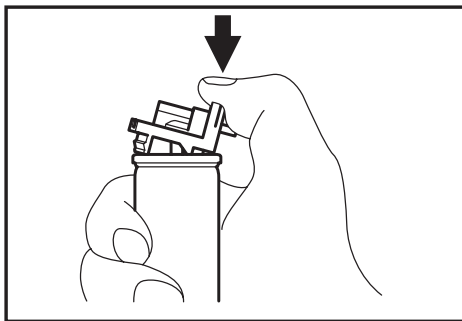
Pile à combustible

Fixez la valve doseuse sur la pile à combustible

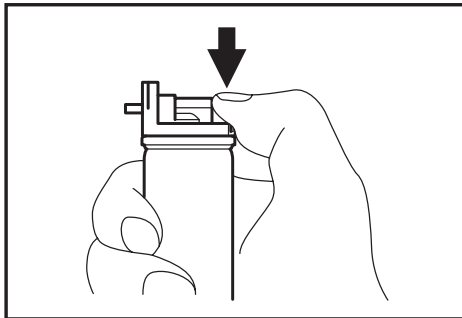


► 1. Valve doseuse 2. Bouchon

Retirez le bouchon (si la valve doseuse est fournie avec son bouchon).

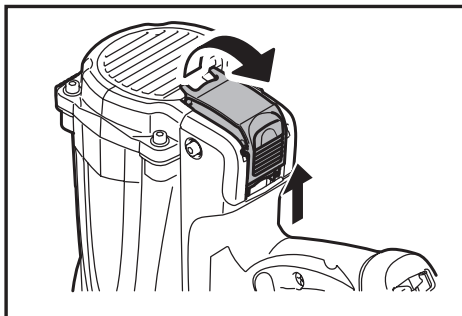


Poussez sur le bord avant pour l'enfoncer.

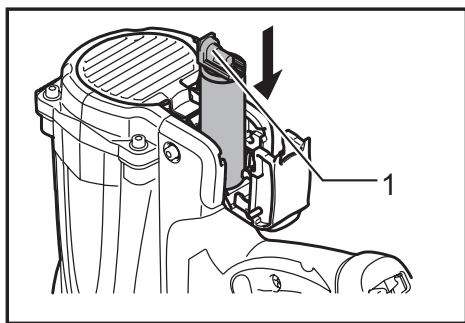


Poussez sur le bord arrière pour l'enfoncer en place.

Insérer la pile à combustible

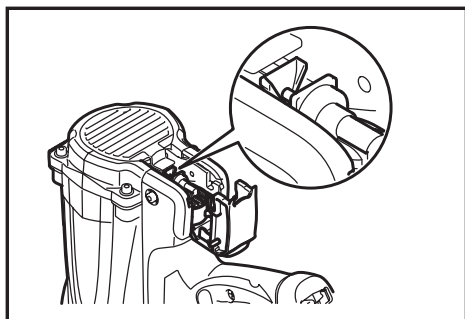


Poussez vers le haut puis tirez pour ouvrir le couvercle du combustible.

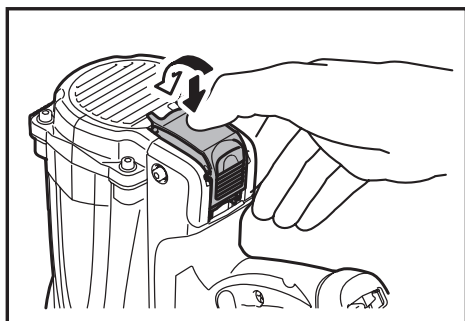


► 1. Buse d'éjection

Insérez la pile à combustible en dirigeant la buse d'éjection de la valve doseuse vers l'adaptateur.



Insérez correctement la buse d'éjection dans le petit trou de l'adaptateur.

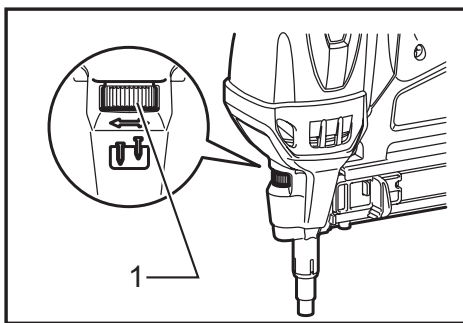


Tirez sur le couvercle du combustible par-dessus la valve doseuse et poussez-le vers le bas pour le verrouiller.

Ajustement de la profondeur de clouage

⚠ ATTENTION :

- Retirez la pile à combustible, la batterie ainsi que les clous avant de régler la profondeur de clouage.



► 1. Dispositif de réglage

Pour réduire la profondeur, tournez le bouton d'ajustement vers la droite, comme sur l'illustration. Pour augmenter la profondeur, tournez le bouton d'ajustement vers la gauche.

Ne tournez pas trop le bouton d'ajustement car il pourrait se coincer.

Voyant lumineux

Le voyant lumineux change de couleur de la façon suivante :

Vert clignotant : État normal

Rouge clignotant : La batterie doit être rechargée

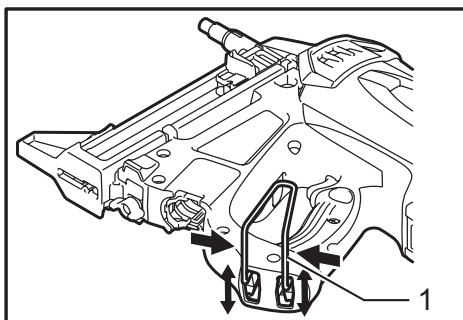
Rouge fixe : Rechargez la batterie. Il est impossible d'effectuer le clouage, car la batterie est épuisée.

Clignotement orange : Un nettoyage complet est recommandé. Reportez-vous à la section « ENTRETIEN » pour nettoyer complètement l'intérieur de l'outil. Pour annuler le clignotement orange de la lampe témoin, appuyez sur l'élément de contact pendant cinq secondes, puis appuyez dessus cinq fois.

Orange clignotant après vert et rouge clignotant : Détection des erreurs en cours. Retirez la batterie et remettez-la en place pour réinitialiser. Si la détection des erreurs reprend, il y a une défaillance. Demandez à votre centre de services Makita de la résoudre.

Crochet

⚠ **ATTENTION :** Retirez toujours la batterie lorsque l'outil est suspendu. Ne suspendez pas l'outil à votre ceinture.



► 1. Crochet

Le crochet est pratique pour suspendre l'outil temporairement.

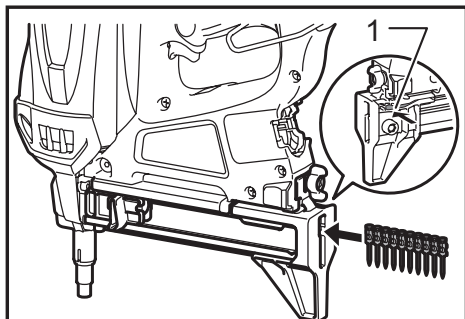
Le crochet peut être réglé dans l'une des deux positions, selon l'endroit où l'outil sera suspendu. Pour modifier la position du crochet, poussez sa base par les deux côtés et amenez-le dans une autre position.

ASSEMBLAGE

⚠ ATTENTION :

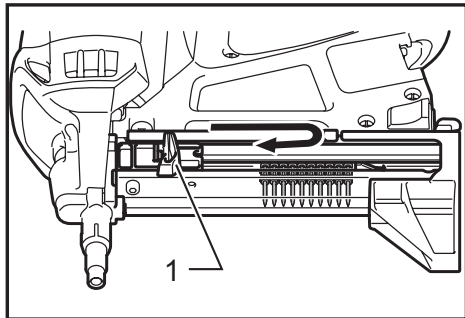
- Retirez toujours la pile à combustible et la batterie avant de manipuler l'outil.

Chargement de la cloueuse



► 1. Bouton

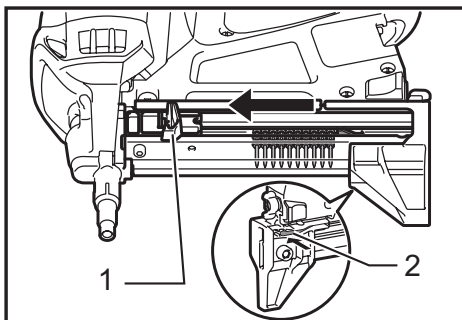
Insérez une bande de clous dans la fente derrière le magasin. Les clous s'arrêtent à l'entrée du magasin en raison du dispositif d'arrêt des clous. Déverrouillez le magasin en appuyant sur le bouton du dispositif d'arrêt des clous pour insérer les clous.



► 1. Levier-poussoir

Tirez le levier-poussoir en appuyant sur le bouton-poussoir jusqu'à l'arrière du magasin. Relâchez ensuite le bouton-poussoir et reposez doucement le levier-poussoir jusqu'à l'extrémité de la bande.

Retrait des clous

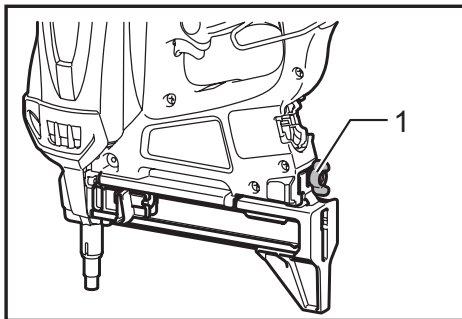


► 1. Levier-poussoir 2. Butée de clou

Tirez sur le levier-poussoir et poussez sur le bouton-poussoir pour déclencher le porte-clous, puis ramenez le levier-poussoir vers le haut en appuyant sur le bouton-poussoir.

Faites glisser les clous vers l'arrière du magasin. Les clous s'arrêtent à l'entrée du magasin en raison du dispositif d'arrêt des clous. Déverrouillez le magasin en appuyant sur le bouton du dispositif d'arrêt des clous pour retirer les clous.

Changement du magasin (accessoire en option)



► 1. Boulon

Un magasin à longueur variable est disponible en option.

Pour changer le magasin, desserrez le boulon et retirez le magasin. Installez ensuite le nouveau magasin. Puis, serrez le boulon du magasin.

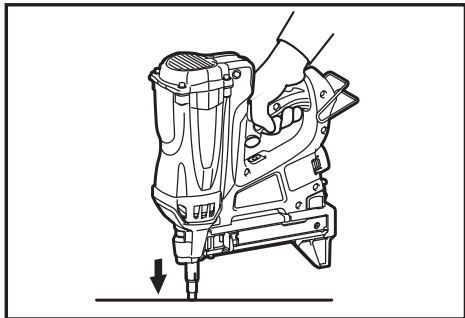
UTILISATION

⚠ MISE EN GARDE :

- Ne touchez pas l'appareil à proximité de l'orifice d'évacuation. La surface est brûlante pendant et après l'utilisation. Tout contact avec la surface à proximité de l'orifice d'évacuation peut entraîner des brûlures ou blessures.

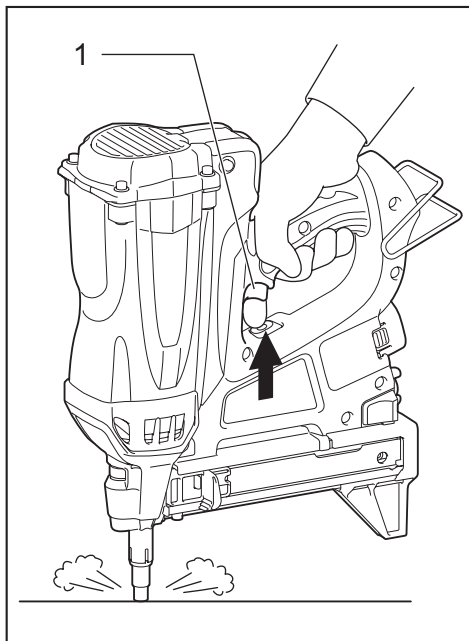
⚠ ATTENTION :

- Assurez-vous que tous les dispositifs de sécurité sont en état de fonctionner avant d'utiliser l'outil.



1. Pour poser un clou, placez l'élément de contact contre la pièce.

Le moteur du ventilateur est activé, le combustible est injecté dans la chambre de combustion et mélangé à l'air par le ventilateur.



1. Gâchette

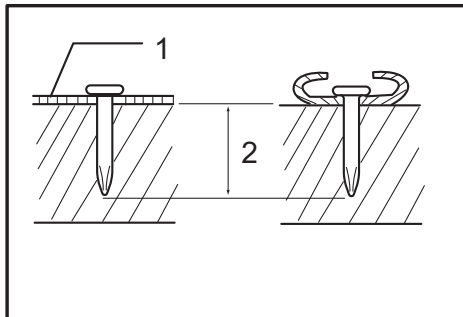
2. Tenez l'outil en gardant l'élément de contact fermement pressé et actionnez la gâchette. La combustion a lieu et le clou est éjecté.
3. Pour amorcer la pose d'un autre clou, l'élément de contact et la gâchette doivent être relâchés.

Clouage du béton

⚠ MISE EN GARDE :

- Utilisez des clous renforcés pour béton seulement. L'utilisation de clous destinés à d'autres usages peut provoquer des blessures graves. Ne clouez pas directement sur le béton. Dans le cas contraire, des fragments de béton pourraient voler et les clous pourraient voler dans la direction inverse et provoquer des blessures graves.
- Lors du clouage, maintenez l'outil de manière à ce qu'il se tienne droit sur la surface à clouer. Un clouage incliné pourrait faire en sorte que des fragments de béton soient projetés, ainsi que provoquer un retour des clous pouvant entraîner des blessures graves.
- N'utilisez pas l'outil sur une surface où des objets sont suspendus, comme les endroits où l'on trouve des bras de battant pour un tuyau d'évacuation, une conduite à poussière, etc.

Choisissez des clous appropriés dont la pénétration dans le béton varie de 15 mm (9/16") à 20 mm (13/16").



1. Fine plaque d'acier
2. Profondeur de pénétration dans le béton

⚠ ATTENTION :

- Utilisez cet outil uniquement pour du béton mou, préparé depuis peu de temps. Une utilisation dans du béton dur peut provoquer le pliage du clou ou un clouage à une profondeur insuffisante.
- Lorsque la profondeur de pénétration dans le béton doit être supérieure à 20 mm (13/16"), il est possible que vous n'arriviez pas à la profondeur souhaitée. Les clous pourraient être posés trop en surface et les pièces pourraient s'avérer instables, ce qui risque de provoquer des blessures et des dommages matériels.

Mécanisme de prévention d'activation à vide

Ce mécanisme empêche l'outil de se mettre en marche si aucun clou n'est installé.

La prévention de l'activation à vide s'active automatiquement lorsque le nombre de clous atteint 2 à 3 unités.

Cloueuse bloquée

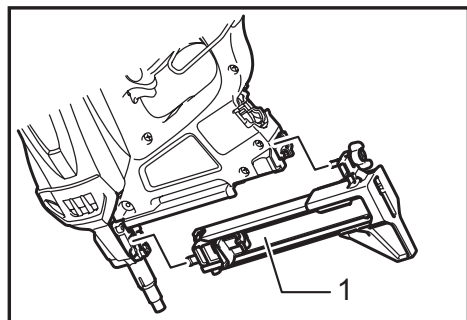
⚠ MISE EN GARDE :

- Retirez toujours la pile à combustible et la batterie avant de débloquer un clou.

⚠ ATTENTION :

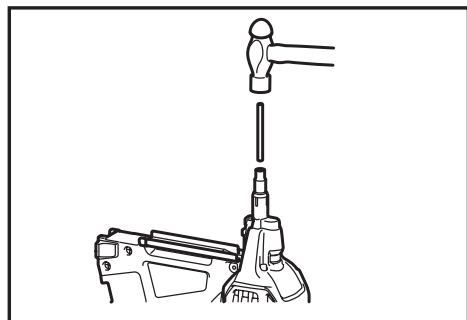
- N'utilisez pas des clous déformés ou en bande, car l'alimentation fera défaut.

Suivez la procédure de retrait des clous et retirez les clous coincés.

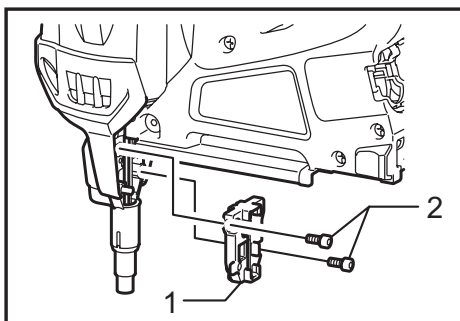


► 1. Magasin

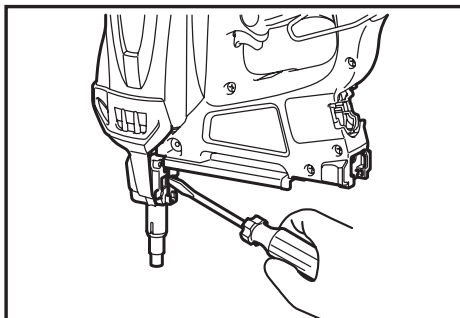
Retirez la pile à combustible, la batterie et les clous. Desserrez le boulon du magasin. Retirez le magasin et retirez les clous coincés.



S'il n'est pas possible de retirer les clous en suivant la méthode indiquée ci-dessus, procédez comme suit. Insérez une petite tige ou un autre objet similaire dans la sortie d'éjection et frappez dessus légèrement avec un marteau pour retirer les clous coincés dans la sortie d'éjection.



► 1. Guide de clouage inférieur 2. Boulon



S'il reste toujours des clous dans la sortie d'éjection, procédez comme suit.

Desserrez les boulons de la sortie d'éjection à l'aide d'une clé Allen. Retirez le guide de clouage inférieur. Retirez ensuite les clous coincés.

Remplacez le guide de clouage inférieur et serrez les boulons après avoir retiré les clous coincés. Remplacez le magasin et serrez le boulon.

ENTRETIEN

⚠ ATTENTION :

- Retirez toujours la pile à combustible, la batterie ainsi que les clous avant d'inspecter ou d'entretenir l'outil.
- N'utilisez jamais d'essence, de benzine, de solvant, d'alcool ou d'autres produits similaires. Une décoloration, une déformation, ou la formation de fissures peuvent en découler.

Entretien après utilisation quotidienne

Après une journée de travail, prenez une série de mesure d'entretien quotidienne. Ces étapes simples garantissent une utilisation sûre et performante de l'outil.

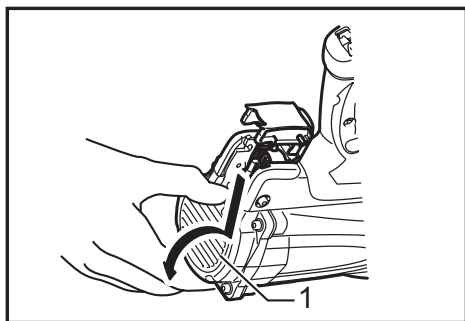
Avant de quitter le lieu de travail :

- Retirez la batterie et rangez l'outil dans un coffret de transport. Utilisez toujours le coffret de transport pour transporter et ranger l'outil.
- Jetez les piles vides dans un endroit où elles ne risquent pas d'être trouvées par des enfants, écrasées, perforées ou brûlées.

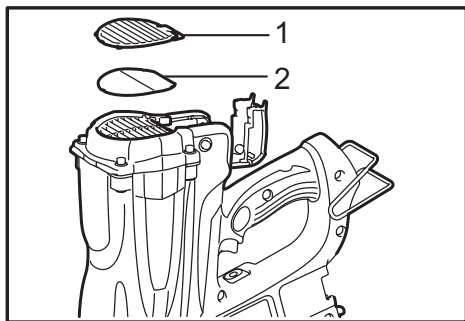
Une fois à la maison :

- Placez la batterie dans son chargeur si elle doit être rechargée, tel qu'indiqué par le témoin rouge.
- Essuyez l'outil avec un chiffon propre et doux.
- Vérifiez si le filtre est poussiéreux, et nettoyez-le au besoin.

Nettoyer le filtre à air



► 1. Couvercle du filtre



► 1. Couvercle du filtre 2. Filtre

Poussez légèrement le couvercle du filtre et retirez-le. Ensuite, tirez simplement le filtre pour le retirer. Tapotez légèrement sur le filtre pour enlever la poussière. En le lavant à l'eau et au savon, vous pouvez pratiquement remettre à neuf le filtre. Pour maintenir la **SÉCURITÉ** et la **FIABILITÉ** du produit, les réparations, tout autre travail d'entretien ou de réglage doivent être effectués dans un centre de service Makita agréé ou un centre de service de l'usine Makita, exclusivement avec des pièces de rechange Makita.

Nettoyage complet

En cas d'activation à vide fréquente, il est nécessaire de nettoyer complètement l'outil. Consultez le guide de nettoyage fourni pour plus d'informations et nettoyez l'outil. Pour toute question concernant le nettoyage, contactez le centre de services Makita le plus proche.

ACCESSOIRES EN OPTION

⚠ ATTENTION :

- Ces accessoires ou pièces complémentaires sont recommandés pour l'utilisation avec l'outil Makita spécifié dans ce mode d'emploi. L'utilisation de tout autre accessoire ou pièce complémentaire peut comporter un risque de blessure. N'utilisez les accessoires ou pièces qu'aux fins auxquelles ils ont été conçus.

Si vous désirez obtenir plus de détails concernant ces accessoires, veuillez contacter le centre de service après-vente Makita le plus près.

- Clous
- Magasin
- Lunettes de sécurité
- Pile à combustible
- Trousse de nettoyage
- Chargeur et batterie authentiques Makita

NOTE :

- Certains éléments de la liste peuvent être inclus avec l'outil comme accessoires standard. Ils peuvent varier suivant les pays.

GARANTIE LIMITÉE D'UN AN DE MAKITA

Politique de garantie

Tous les outils Makita sont soigneusement inspectés et mis à l'essai avant de quitter l'usine. Ils sont garantis contre les vices de fabrication et de matériau pour une période d'UN AN suivant la date de l'achat original. Si un problème survient pendant cette période d'un an, retournez l'outil COMPLET, fret payé d'avance, à une usine ou un centre de service après-vente autorisé Makita. S'il ressort de l'inspection que le problème est dû à un vice de fabrication ou de matériau, Makita réparera (ou remplacera, à son gré) l'outil gratuitement. Cette garantie ne s'applique pas dans les cas où :

- des réparations ont été effectuées ou tentées par un tiers;
- des réparations sont nécessaires en raison de l'usure normale;
- l'outil a été malmené, mal utilisé ou non adéquatement entretenu;
- l'outil a subi des modifications.

MAKITA NE SERA EN AUCUN CAS RESPONSABLE DE TOUS DOMMAGES INDIRECTS, ACCESSOIRES OU CONSÉCUTIFS DE LA VENTE OU DE L'UTILISATION DU PRODUIT. CET AVIS DE NON-RESPONSABILITÉ S'APPLIQUE PENDANT ET APRÈS LA PÉRIODE COUVERTE PAR CETTE GARANTIE.

MAKITA DÉCLINE TOUTE RESPONSABILITÉ QUANT À TOUTES GARANTIES IMPLICITES, Y COMPRIS LES GARANTIES DE « QUALITÉ MARCHANDE » OU D'« ADAPTATION À UN USAGE PARTICULIER » APRÈS LA PÉRIODE DE GARANTIE D'UN AN.

Cette garantie vous donne des droits légaux spécifiques, et vous pouvez également avoir d'autres droits qui varient d'une province à l'autre. Certaines provinces n'autorisant pas l'exclusion ou la restriction des dommages accessoires ou consécutifs, il se peut que la restriction ou l'exclusion ci-dessus ne s'applique pas à vous. Certaines provinces n'autorisant pas de restriction quant à la durée des garanties implicites, il se peut que la restriction ci-dessus ne s'applique pas à vous.

ESPECIFICACIONES

Modelo	GN01
Capacidad de clavos	20 clavos (2 tiras)
Dimensiones (La x An x Al)	315 mm (12 - 3/8") X 108 mm (4 - 1/4") X 390 mm (15 - 3/8")
Peso neto	3,6 kg (7,9 lbs)
Longitud de clavo X diámetro del astil	Clavo L :15 mm - 40 mm (5/8" - 1-9/16") d : 2,6 mm - 3,1 mm (.102" - .122")
Tensión nominal	7,2 V c.c.
Cartuchos de batería estándar	BL7010 / BL0715

- Debido a nuestro programa continuo de investigación y desarrollo, las especificaciones aquí dadas están sujetas a cambios sin previo aviso.
- Las especificaciones y el cartucho de la batería pueden variar de país a país.
- Peso de acuerdo al procedimiento de EPTA-01/2003 incluyendo el cartucho de la batería

Símbolos

A continuación se muestran los símbolos utilizados para la herramienta.

	Lea y entienda el manual y las etiquetas de la herramienta.
	Los operarios y demás personas que se encuentran en el área de trabajo deben usar gafas de seguridad con protección lateral.
	Mantenga los dedos alejados del gatillo cuando no esté clavando las grapas a fin de evitar un disparo accidental.
V	volts o voltios
	corriente directa o continua
	Contenedor bajo presión, manténgalo alejado de temperaturas superiores a 50°C (por ejemplo, a la exposición directa del sol). Mantenga el contenedor en un lugar bien ventilado.
	Use sólo al aire libre o en lugares bien ventilados. No respire el gas.
	No use cerca de flamas ni aerosoles sobre superficies calientes. Puede que durante el uso se forme un aire de vapor inflamable o explosivo.
	No dañe, perforo ni queme incluso tras su uso.
	Use sólo en áreas ventiladas para evitar náuseas y/o mareos que afecten su estado consciente. Nunca use la herramienta en atmósferas inflamables. El escape en la herramienta puede prender fuego con los materiales combustibles
	No use en tarimas ni escaleras.
	Advertencia: ¡superficie caliente! No tocar alrededor de este símbolo. Tocar la superficie puede que cause quemaduras o lesiones.

Advertencias de seguridad generales para herramientas eléctricas

⚠ADVERTENCIA: lea todas las advertencias de seguridad e instrucciones. Si no sigue todas las advertencias e instrucciones indicadas a continuación, podrá ocasionar una descarga eléctrica, un incendio y/o lesiones graves.

Guarde todas las advertencias e instrucciones para su futura referencia.

El término "herramienta eléctrica" se refiere, en todas las advertencias que aparecen a continuación, a su herramienta eléctrica de funcionamiento con conexión a la red eléctrica (con cableado eléctrico) o herramienta eléctrica de funcionamiento a batería (inalámbrica).

Seguridad en el área de trabajo

1. **Mantenga el área de trabajo limpia y bien iluminada.** Las áreas oscuras o desordenadas son propensas a accidentes.
2. **No utilice las herramientas eléctricas en atmósferas explosivas, tal como en la presencia de líquidos, gases o polvo inflamables.** Las herramientas eléctricas crean chispas que pueden prender fuego al polvo o los humos.
3. **Mantenga a los niños y curiosos alejados mientras utiliza una herramienta eléctrica.** Las distracciones le pueden hacer perder el control.

Seguridad eléctrica

4. **Las clavijas de conexión de las herramientas eléctricas deberán encajar perfectamente en la toma de corriente. No modifique nunca la clavija de conexión de ninguna forma. No utilice ninguna clavija adaptadora con herramientas eléctricas que tengan conexión a tierra (puesta a tierra).** La utilización de clavijas no modificadas y que encajen perfectamente en la toma de corriente reducirá el riesgo de que se produzca una descarga eléctrica.
5. **Evite tocar con el cuerpo superficies conectadas a tierra o puestas a tierra tales como tubos, radiadores, cocinas y refrigeradores.** Si su cuerpo es puesto a tierra o conectado a tierra existirá un mayor riesgo de que sufra una descarga eléctrica.

6. **No exponga las herramientas eléctricas a la lluvia ni a condiciones húmedas.** La entrada de agua en una herramienta eléctrica aumentará el riesgo de que se produzca una descarga eléctrica.
7. **No jale el cable. Nunca utilice el cable para transportar, jalar o desconectar la herramienta eléctrica.** Mantenga el cable alejado del calor, aceite, objetos cortantes o piezas móviles. Los cables dañados o atrapados aumentan el riesgo de sufrir una descarga eléctrica.
8. **Cuando utilice una herramienta eléctrica en exteriores, utilice un cable de extensión apropiado para uso en exteriores.** La utilización de un cable apropiado para uso en exteriores reducirá el riesgo de que se produzca una descarga eléctrica.
9. **Si no es posible evitar usar una herramienta eléctrica en condiciones húmedas, utilice un alimentador protegido con interruptor de circuito de falla en tierra (ICFT).** El uso de un ICFT reduce el riesgo de descarga eléctrica.
18. **No utilice la herramienta eléctrica si el interruptor no la enciende y apaga.** Cualquier herramienta eléctrica que no pueda ser controlada con el interruptor es peligrosa y debe ser reemplazada.
19. **Desconecte la clavija de la fuente de energía y/o la batería de la herramienta eléctrica antes de realizar ajustes, cambiar accesorios o guardar las herramientas eléctricas.** Dichas medidas de seguridad preventivas reducen el riesgo de que la herramienta se inicie accidentalmente.
20. **Guarde la herramienta eléctrica que no use fuera del alcance de los niños y no permita que las personas que no están familiarizadas con ella o con las instrucciones la operen.** Las herramientas eléctricas son peligrosas en manos de personas que no saben operarlas.
21. **Realice el mantenimiento a las herramientas eléctricas. Compruebe que no haya partes móviles desalineadas o estancadas, piezas rotas y cualquier otra condición que pueda afectar al funcionamiento de la herramienta eléctrica.** Si la herramienta eléctrica está dañada, haga que se la reparen antes de utilizarla. Muchos accidentes son ocasionados por herramientas eléctricas con un mal mantenimiento.

Seguridad personal

10. **Manténgase alerta, preste atención a lo que está haciendo y utilice su sentido común cuando opere una herramienta eléctrica.** No utilice la herramienta eléctrica cuando esté cansado o bajo la influencia de drogas, alcohol o medicamentos. Un momento de distracción mientras opera la máquina puede dar como resultado heridas personales graves.
11. **Use equipo de protección personal. Póngase siempre protección para los ojos.** El equipo protector tal como máscara contra el polvo, zapatos de seguridad antiderrapantes, casco rígido y protección para oídos utilizado en las condiciones apropiadas reducirá las heridas personales.
12. **Impida el encendido accidental. Asegúrese de que el interruptor esté en la posición de apagado antes de conectar a la alimentación eléctrica y/o de colocar el cartucho de la batería, así como al levantar o cargar la herramienta.** Cargar las herramientas eléctricas con su dedo en el interruptor o enchufarlas con el interruptor encendido hace que los accidentes sean propensos.
13. **Retire cualquier llave de ajuste o llave de apriete antes de encender la herramienta.** Una llave de ajuste o llave de apriete que haya sido dejada puesta en una parte giratoria de la herramienta eléctrica podrá resultar en heridas personales.
14. **No utilice la herramienta donde no alcance. Mantenga los pies sobre suelo firme y el equilibrio en todo momento.** Esto permite un mejor control de la herramienta eléctrica en situaciones inesperadas.
15. **Use vestimenta apropiada. No use ropas sueltas ni joyas. Mantenga el cabello, la ropa y los guantes alejados de las piezas móviles.** Las prendas de vestir holgadas, las joyas y el cabello suelto podrían engancharse en estas piezas móviles.
16. **Si dispone de dispositivos para la conexión de equipos de extracción y recolección de polvo, asegúrese de conectarlos y utilizarlos debidamente.** La utilización de estos dispositivos reduce los riesgos relacionados con el polvo.
22. **Mantenga las herramientas de corte limpias y filosas.** Si recibe un mantenimiento adecuado y tiene los bordes afilados, es probable que la herramienta se atasque menos y sea más fácil controlarla.
23. **Utilice la herramienta eléctrica, así como accesorios, piezas, brocas, etc. de acuerdo con estas instrucciones y de la manera establecida para cada tipo de unidad en particular; tenga en cuenta las condiciones laborales y el trabajo a realizar.** Si utiliza la herramienta eléctrica para realizar operaciones distintas de las indicadas, podrá presentarse una situación peligrosa.

Uso y cuidado de la herramienta a batería

24. **Realice la recarga sólo con el cargador especificado por el fabricante.** Un cargador que es adecuado para un solo tipo de batería puede generar riesgo de incendio al ser utilizado con otra batería.
25. **Utilice las herramientas eléctricas solamente con las baterías designadas específicamente para ellas.** La utilización de cualquier otra batería puede crear un riesgo de heridas o incendio.
26. **Cuando no se esté usando el cartucho de la batería, manténgalo alejado de otros objetos metálicos, como sujetapapeles (clips), monedas, llaves, clavos, tornillos u otros objetos pequeños de metal los cuales pueden actuar creando una conexión entre las terminales de la batería.** Cerrar el circuito de las terminales de la batería puede causar quemaduras o incendios.
27. **En condiciones abusivas, podrá escapar líquido de la batería; evite tocarlo. Si lo toca accidentalmente, enjuague con agua. Si hay contacto del líquido con los ojos, acuda por ayuda médica.** Puede que el líquido expulsado de la batería cause irritación o quemaduras.

Servicio de mantenimiento

28. **Haga que una persona calificada repare la herramienta utilizando sólo piezas de repuesto idénticas.** Esto asegura que se mantenga la seguridad de la herramienta eléctrica.

Mantenimiento y uso de la herramienta eléctrica

17. **No fuerce la herramienta eléctrica. Utilice la herramienta eléctrica correcta para su aplicación.** La herramienta eléctrica adecuada hará un trabajo mejor a la velocidad para la que ha sido fabricada.

29. Siga las instrucciones para la lubricación y cambio de accesorios.
30. Mantenga las agarraderas secas, limpias y sin aceite o grasa.

INSTRUCCIONES IMPORTANTES DE SEGURIDAD

ADVERTENCIA: AL UTILIZAR ESTA HERRAMIENTA, SE DEBEN SEGUIR SIEMPRE LAS PRECAUCIONES DE SEGURIDAD BÁSICAS PARA REDUCIR EL RIESGO DE LESIÓN PERSONAL, ENTRE LAS CUALES SE INCLUYEN LAS SIGUIENTES:

LEA TODAS LAS INSTRUCCIONES

1. Por su seguridad personal y para una operación y mantenimiento adecuados de la herramienta, lea este manual de instrucciones atentamente antes de usar la herramienta.
 - Use la herramienta sólo con pila de combustible original de Makita.
 - Nunca use la herramienta en lugares cerrados o con poca ventilación.
2. Siempre use gafas de seguridad para la protección de sus ojos contra el polvo y lesiones ocasionadas por los clavos. Las gafas de seguridad deben cumplir con los requisitos de la norma ANSI Z87.1. **ADVERTENCIA**
Es responsabilidad del empleador imponer el uso de equipo para protección de los ojos por los usuarios de las herramientas y por otras personas inmediatamente próximas a las áreas de trabajo.
3. Use protección para los oídos para protegerlos contra el ruido del escape, así como también debe usarse protección para la cabeza. Además vistase con ropa ligera pero no holgada. Las mangas deben estar abotonadas o arremangadas. No deben usarse corbatas.
4. Apresurar la labor o forzar la herramienta es peligroso. Maneje la herramienta con cuidado. No opere al estar bajo la influencia de alcohol, drogas, medicamentos o similares.
5. Directivas generales para el manejo de la herramienta:
 - Siempre asuma que la herramienta contiene clavos.
 - No apunte la herramienta hacia usted ni a ninguna persona independientemente de que contenga clavos o no.
 - No ejecute la herramienta a menos que esté colocada firmemente contra la pieza de trabajo.
 - Trate la herramienta como un utensilio de trabajo.
 - No juguete ni haga bromas con la herramienta.
 - No sostenga ni cargue la herramienta con el dedo sobre el gatillo.
 - No recargue la herramienta con los clavos cuando cualquiera de los controles de operación se encuentre activado.
 - No opere la herramienta con un suministro de energía que no sea el especificado en las instrucciones de seguridad y operación de la herramienta.

6. Una herramienta con un funcionamiento inadecuado no debe ser utilizada.
7. A veces salen volando chispazos cuando la herramienta está siendo utilizada. No use la herramienta cerca de materiales volátiles e inflamables como gasolina, tiner, pintura, gas, adhesivos, etc. los cuales podrían encenderse y explotar, causando graves lesiones.
8. El área de trabajo debe estar suficientemente iluminada para garantizar la seguridad en las operaciones. El área de trabajo debe estar despejada y limpia. Sea especialmente cuidadoso en pisar suelo firme y mantener el equilibrio.
9. Sólo aquellos involucrados en la labor deberían estar alrededor. Los niños especialmente deben mantenerse alejados durante todo el tiempo.
10. Puede que haya regulaciones locales respecto al ruido las cuales deben cumplirse al mantener los niveles de ruido dentro de los límites pre-establecidos. En determinados casos, deberán usarse silenciadores para contener el ruido.
11. No juegue con el elemento de contacto: esto evita la descarga accidental, por lo que debe conservarse y no quitarse. Asegurar el gatillo en la posición de encendido "ON" también es muy peligroso. Nunca intente trabar el gatillo. No opere la herramienta si cualquier sección de los controles de operación está inoperable, desconectada, alterada o no está funcionando apropiadamente.
12. Siempre verifique el estado general de la herramienta, así como si hay tornillos sueltos antes de la operación. Apriete según sea necesario.
13. Asegúrese que los sistemas de seguridad estén funcionando antes de la operación. La herramienta no debe operarse si sólo debe jalarse el gatillo o si sólo el elemento de contacto debe presionarse contra la madera. Sólo debe activarse cuando ambas acciones sean ejecutadas. Compruebe si hay alguna operación defectuosa sin que haya clavos cargados y con el pulsador jalado por completo.
14. Revise paredes, techos, tejados, pisos y similares con atención para evitar una descarga eléctrica accidental, así como una fuga de gas, explosiones, etc. que sean provocadas por haber insertado el clavo en cables con corriente, tubos o ductos de gas.
15. Use solamente los clavos que se especifican en este manual. El uso de cualquier otro clavo puede provocar un funcionamiento inapropiado de la herramienta.
16. No permita que aquellas personas que no estén entrenadas usen la herramienta.
17. Asegúrese que nadie está cerca antes de clavar. Nunca intente clavar al mismo tiempo tanto de la parte interior como de la parte exterior. Los clavos podrían desgarrarse y/o salir volando, lo cual representa un serio peligro.
18. Esté atento de pisar suelo firme y de mantener el equilibrio con la herramienta. Asegúrese que nadie se encuentra debajo al estar trabajando en lugares elevados, y fije la manguera de aire para evitar el peligro en caso de un jaloneo o enganchado accidental.

19. En los tejados y otros lugares elevados, clave a medida que va avanzando en dirección hacia adelante. Es fácil que deje de tener suelo firme si clava mientras retrocede. Al clavar contra una superficie perpendicular, hágalo de la parte superior a la inferior. Puede realizar las operaciones de clavado con menor fatiga al hacerlo así.
20. Un clavo se doblará o la herramienta se atorará si por error clava sobre otro clavo o si lo hace sobre algún punto nodular en la madera. Puede que el clavo salga arrojado y pegue sobre alguien, o que la misma herramienta reaccione de forma peligrosa. Coloque los clavos con cuidado.
21. No apunte el puerto de expulsión a nadie alrededor. Mantenga las manos y los pies alejados del área del puerto de expulsión.
 - Nunca cargue la herramienta con su dedo en el gatillo ni se la dé a alguien en esta condición. El disparado accidental puede ser extremadamente peligroso.
22. Maneje la herramienta con cuidado, ya que dentro de la herramienta hay mucha presión contenida que puede ser peligrosa si se causa una grieta debido a un manejo brusco (como dejar caer o golpear la herramienta). No intente labrar o hacer grabados sobre la herramienta.
23. Detenga la operación de clavado de inmediato si nota algo mal o fuera de lo común con la herramienta.
 - Retire siempre la pila de combustible, el cartucho de batería y todos los clavos:
 - Al dejarse sin poner atención a la herramienta.
 - Antes de realizar cualquier labor de mantenimiento o reparación.
 - Antes de despejar algún atascamiento.
 - Antes de trasladar la herramienta a otro lugar.
24. Realice operaciones de limpieza y mantenimiento justo después de haber terminado la labor. Mantenga la herramienta en excelentes condiciones. Lubrique las piezas móviles para prevenir la oxidación y minimizar el desgaste por fricción. Limpie la herramienta y las piezas del polvo.
25. No modifique ni altere la herramienta sin la autorización de Makita.
26. No intente mantener el gatillo o el elemento de contacto presionados con cinta adhesiva o con algún alambre. Podría causarse una lesión grave o la muerte.
27. Siempre verifique el elemento de contacto como se indica en este manual. Los clavos podrían clavarse accidentalmente si el mecanismo de seguridad no está funcionando adecuadamente.
28. Solicite una inspección periódica de la herramienta en los centros de servicios autorizados de Makita.
29. Para mantener la **SEGURIDAD** y **FIABILIDAD** del producto, las reparaciones y cualquier mantenimiento deberán ser realizados por los centros de servicio autorizados o de fabricación de Makita, usando siempre repuestos Makita.

⚠ADVERTENCIA: EL USO INCORRECTO o el no seguir las normas de seguridad que se declaran en este instructivo podría resultar en lesiones personales graves.

Instrucciones importantes de seguridad para el cartucho de batería

1. Antes de utilizar el cartucho de batería, lea todas las instrucciones e indicaciones de precaución en el (1) el cargador de batería, (2) la batería, y (3) el producto con el que se utiliza la batería.
2. No desarme el cartucho de batería.
3. Si el tiempo de operación se ha acortado en exceso, deje de operar de inmediato. Podría correrse el riesgo de sobrecalentamiento, posibles quemaduras e incluso explosión.
4. En caso de que ingresen electrolitos en sus ojos, enjuáguelos bien con agua limpia y consulte de inmediato a un médico. Esto podría ocasionar pérdida de visión.
5. Evite cortocircuitar el cartucho de batería:
 - (1) No toque las terminales con ningún material conductor.
 - (2) Evite guardar el cartucho de batería en un cajón junto con otros objetos metálicos, tales como clavos, monedas, etc.
 - (3) No exponga el cartucho de batería al agua o la lluvia.

Un cortocircuito en la batería puede causar un flujo grande de corriente, sobrecalentamiento, posibles quemaduras e incluso una descompostura.
6. No guarde la herramienta ni el cartucho de batería en lugares donde la temperatura pueda alcanzar o exceder los 50°C (122°F).
7. Nunca incinere el cartucho de batería incluso en el caso de que esté dañado seriamente o ya no sirva en absoluto. El cartucho de batería puede explotar si se tira al fuego.
8. Tenga cuidado de no dejar caer ni golpear la batería.
9. No use una batería dañada.
10. Las baterías de ión de litio están sujetas a los requisitos reglamentarios en materia de bienes peligrosos.

Para el transporte comercial, por ej., mediante terceros o agentes de transporte, se deben tomar en cuenta los requisitos especiales relativos al empaque y el etiquetado.

Para efectuar los preparativos del artículo que se va a enviar, se requiere consultar a un experto en materiales peligrosos. Si es posible, consulte además otras regulaciones nacionales más detalladas. Pegue o cubra con cinta adhesiva los contactos abiertos y empaque la batería de manera que ésta no pueda moverse dentro del paquete.
11. Siga las regulaciones locales relacionadas al desecho de las baterías.

GUARDE ESTAS INSTRUCCIONES.

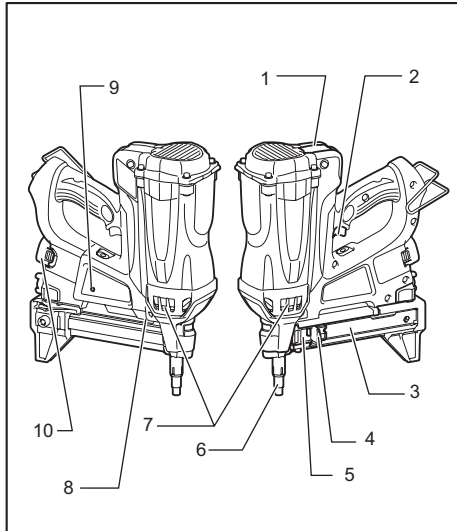
GUARDE ESTAS INSTRUCCIONES.

⚠PRECAUCIÓN: Utilice únicamente baterías originales de Makita. El uso de baterías no originales de Makita, o de baterías alteradas, puede ocasionar que las baterías exploten causando un incendio, lesiones personales y daños. Asimismo, esto invalidará la garantía de Makita para la herramienta y el cargador Makita.

Consejos para alargar al máximo la vida útil de la batería

1. Cargue el cartucho de batería antes de que se descargue completamente. Pare siempre la operación y cargue el cartucho de batería cuando note menos potencia en la herramienta.
2. No cargue nunca un cartucho de batería que esté completamente cargado. La sobrecarga acortará la vida de servicio de la batería.
3. Cargue el cartucho de batería a una temperatura ambiente de 10 °C - 40 °C (50 °F - 104 °F). Si un cartucho de batería está caliente, déjelo enfriar antes de cargarlo.

Visión general de la clavadora



- 1. Tapa del combustible 2. Gatillo 3. Cartucho
4. Palanca del propulsor 5. Botón pulsador
6. Elemento de contacto 7. Abertura de ventilación de salida 8. Lámpara 9. Luz indicadora
10. Cartucho de batería

DESCRIPCIÓN DEL FUNCIONAMIENTO

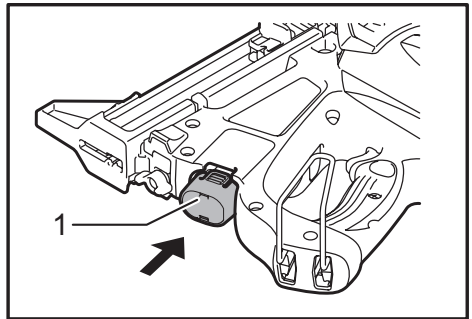
⚠PRECAUCIÓN:

- Asegúrese siempre de retirar la pila de combustible, el cartucho de batería y los clavos antes de realizar algún ajuste o revisión en la herramienta.

Instalación o desmontaje del cartucho de batería

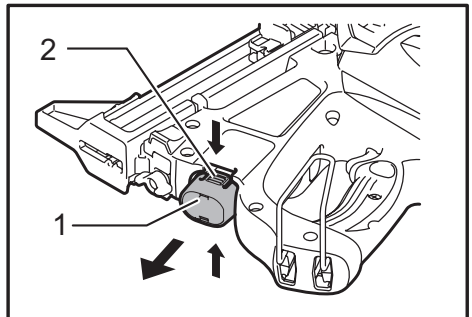
⚠PRECAUCIÓN:

- Apague siempre la herramienta antes de colocar o quitar el cartucho de batería.
- Sujete la herramienta y el cartucho de la batería con firmeza al colocar o quitar el cartucho. Si no se sujeta con firmeza la herramienta y el cartucho de la batería, puede ocasionar que se resbalen de sus manos resultando en daños a la herramienta y al cartucho, así como lesiones a la persona.



- 1. Cartucho de batería

Para colocar el cartucho de batería, sujételo de tal forma que la cara frontal del cartucho encaje en la abertura del compartimento de la batería y proceda a insertar el cartucho. Inserte por completo hasta que se fije en su lugar con un pequeño clic.



- 1. Cartucho de batería 2. Botón

Para quitar el cartucho de batería, retírelo de la herramienta mientras presiona sobre ambos lados del cartucho.

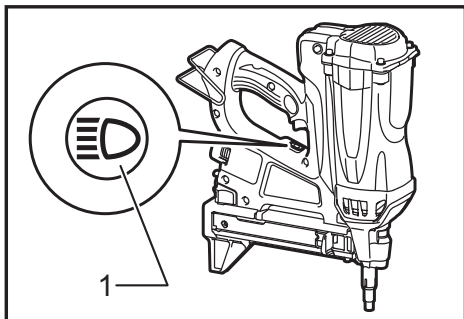
⚠PRECAUCIÓN:

- Inserte siempre el cartucho de la batería a tope hasta que se bloquee en su sitio. En caso contrario, podrá caerse accidentalmente de la herramienta y ocasionarle heridas a usted o a alguien que se encuentre cerca de usted.
- No instale el cartucho de batería a la fuerza: si el cartucho no se desliza al interior fácilmente, se debe a que no está siendo insertado correctamente.

Encendido de la luz indicadora

⚠PRECAUCIÓN:

- No mire a la luz ni vea la fuente de luz directamente.

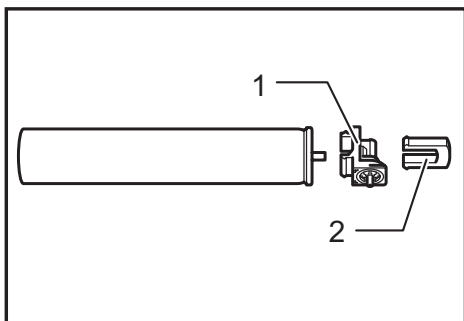


► 1. Botón de lámpara

- Para encender la lámpara, presione el botón de lámpara. Para apagar la lámpara, presione el botón de lámpara de nuevo.

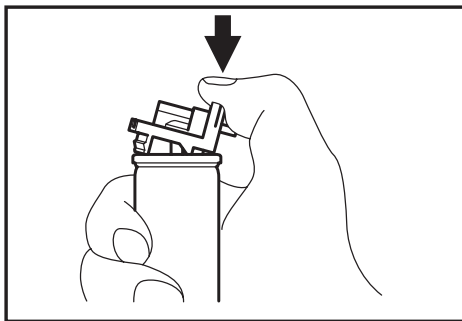
Pila de combustible

Colocación de la válvula de medición a la pila del combustible

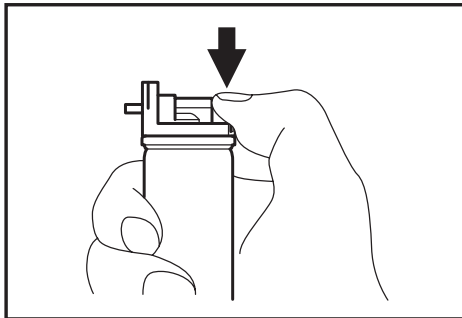


► 1. Válvula de medición 2. Tapa

Quite la tapa (en caso de que la válvula de medición cuente con tapa).

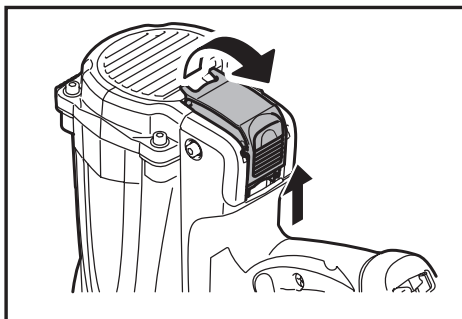


Presione el borde delantero.

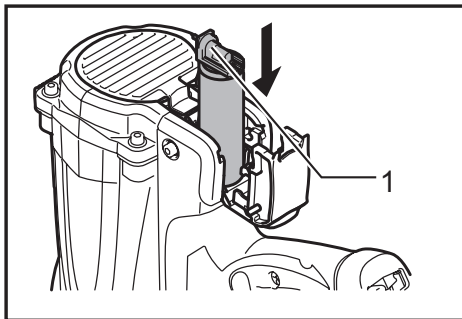


Presione el borde trasero hasta que se asiente.

Inserte la pila del combustible

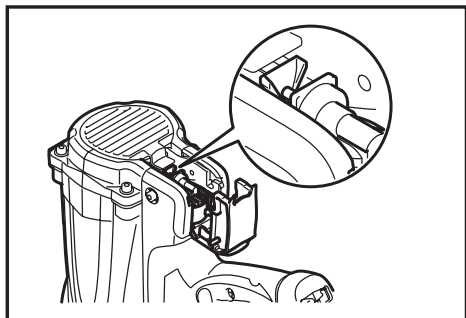


Presione y jale la tapa del combustible para abrirla.

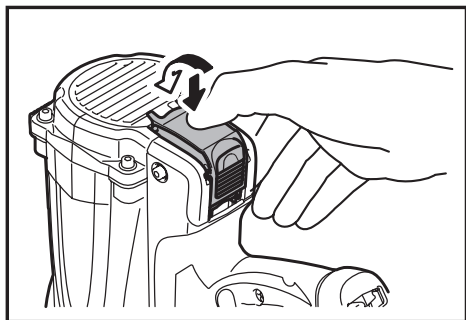


► 1. Boquilla de chorro a presión

Inserte la pila de combustible dirigiendo la boquilla de chorro a presión de la válvula de medición hacia el adaptador.



Inserte la boquilla de chorro a presión correctamente en el orificio pequeño del adaptador.

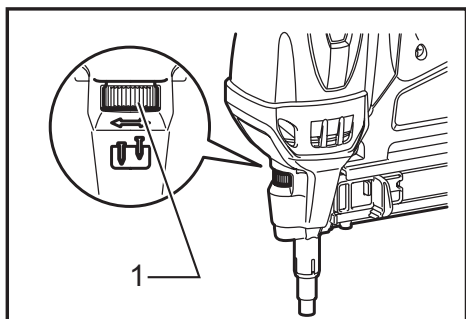


Coloque la tapa de combustible sobre la válvula de medición y empújela hasta que encaje.

Ajuste de la profundidad del clavado

⚠PRECAUCIÓN:

- Retire la pila de combustible, el cartucho de la batería y los clavos antes de realizar el ajuste de profundidad del clavado.



► 1. Ajustador

Para conseguir una profundidad más superficial, gire al ajustador a la dirección derecha como se ilustra en la figura. Para conseguir una profundidad más honda, gire el ajustador a la dirección izquierda.

No gire el ajustador demasiado, pues podría trabarse.

Luz indicadora

El color de la luz indicadora significa lo siguiente.

Intermitente en verde: Estado normal

Intermitente en rojo: Se requiere recargar el cartucho de batería

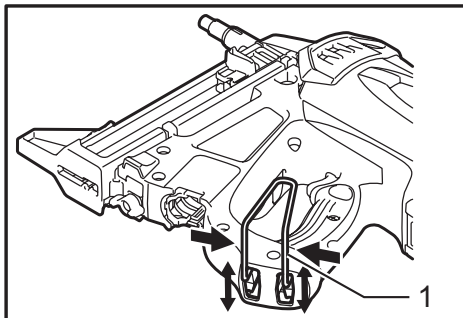
Encendido en rojo: Recargue el cartucho de la batería. El clavado no se puede realizar debido a que la batería no cuenta con suficiente energía.

Si la luz naranja parpadea: Es recomendable hacer una limpieza minuciosa. Consulte la sección "MANTENIMIENTO" para limpiar minuciosamente el interior de la herramienta. Para restablecer el parpadeo de la luz indicadora color naranja, presione el elemento de contacto durante cinco segundos y luego presiónelo cinco veces.

Parpadeo en naranja tras el parpadeo en verde y rojo alternados: la detección de fallas está bajo ejecución. Retire y vuelva a colocar el cartucho de la batería para reiniciar. Si la detección de falla vuelve a ejecutarse, indica un defecto en el funcionamiento. Solicite servicio de reparación en los centros de servicio Makita.

Gancho

⚠PRECAUCIÓN: Retire siempre el cartucho de batería al colgar la herramienta: No cuelgue la herramienta a su cinturón.



► 1. Gancho

El gancho resulta conveniente a la hora de colgar la herramienta en forma temporal.

El gancho puede ajustarse en dos posiciones según dónde será colgada la herramienta.

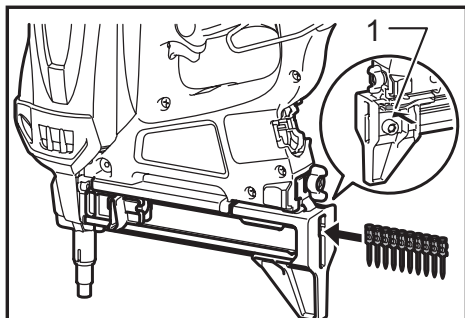
Para cambiar la posición del gancho, presione las patas de éste a ambos lados y cámbielo a una nueva posición.

ENSAMBLE

⚠PRECAUCIÓN:

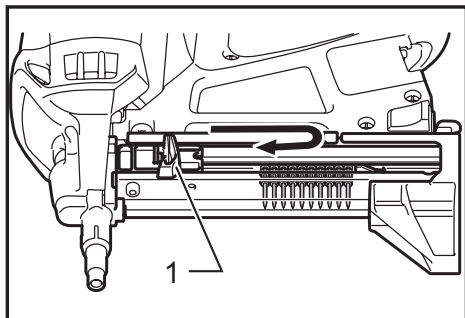
- Quite siempre la pila de combustible y el cartucho de batería antes de llevar a cabo cualquier servicio de mantenimiento o reparación en la herramienta.

Recargado de la herramienta con clavos



► 1. Botón

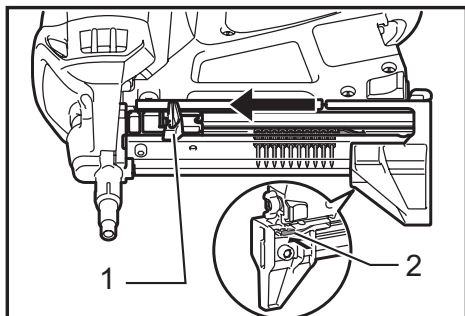
Inserte una tira de clavos en la abertura en la parte trasera del cartucho para tiras de clavos. Los clavos son detenidos a la entrada del cartucho debido al tope para clavos. Desbloquee el cartucho al presionar el botón del tope para clavos para insertar los clavos.



► 1. Palanca del propulsor

Jale la palanca pulsadora al presionar el botón pulsador completamente hacia la parte trasera del cartucho para tiras de clavos. Luego libere el botón pulsador y retorne la palanca pulsadora suavemente hacia el extremo de la tira.

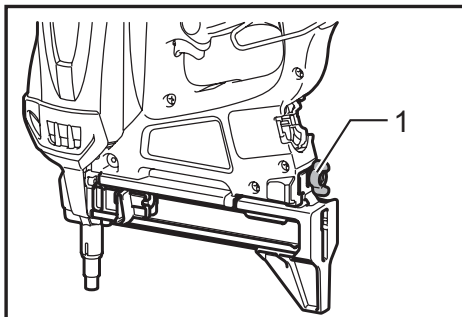
Extracción de clavos



► 1. Palanca del propulsor 2. Bloqueador de clavos

Jale la palanca pulsadora y presione el botón pulsador para liberar el soporte de clavos, y luego regrese la palanca pulsadora a la parte superior presionando el botón pulsador. Deslice los clavos hacia la parte trasera del cartucho. Los clavos son detenidos a la entrada del cartucho debido al tope para clavos. Desbloquee el cartucho al presionar el botón del tope para clavos para insertar los clavos.

Cambio del cartucho (accesorio opcional)



► 1. Perno

Se dispone de un cartucho con una longitud diferente como accesorio opcional.

Para cambiar el cartucho, afloje el perno y retire el cartucho. Luego instale el nuevo cartucho. Después fije el perno sobre el cartucho.

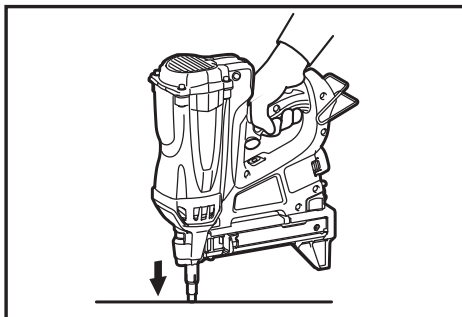
OPERACIÓN

⚠ ADVERTENCIA:

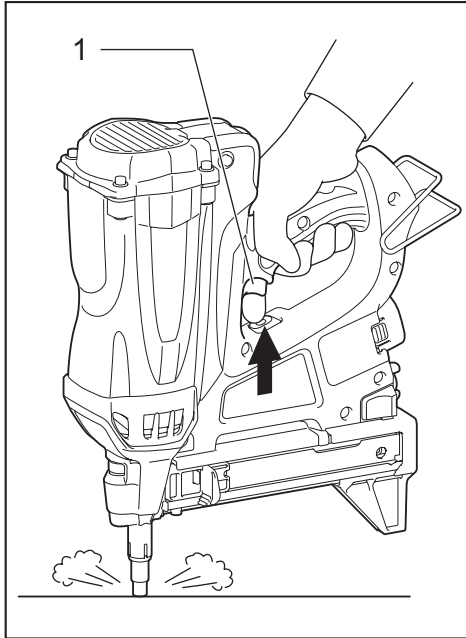
- **No toque alrededor de la abertura de ventilación del escape.** La superficie estará muy caliente durante y tras el uso de la herramienta. Tocar alrededor de la abertura de ventilación del escape puede que cause quemaduras o lesiones.

⚠ PRECAUCIÓN:

- Asegúrese de que todos los sistemas de seguridad funcionen adecuadamente antes de utilizar la herramienta.



1. Para colocar un clavo, coloque el elemento de contacto contra la pieza de trabajo. El motor del ventilador se activa, se inyecta combustible en la cámara de combustión y se mezcla con el aire del ventilador.



► 1. Gatillo

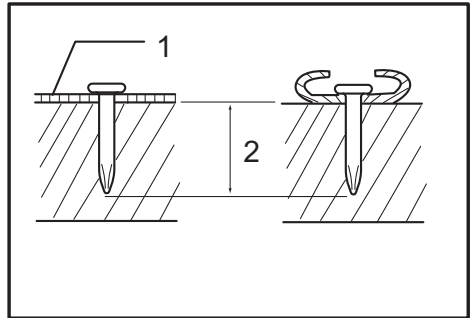
2. Sostenga el elemento de contacto al presionar firmemente y jale el gatillo. El combustible hace combustión y el clavo queda colocado.
3. La colocación de clavos adicionales puede iniciarse sólo cuando tanto el elemento de contacto y el gatillo se hayan liberado.

Colocación de clavos en concreto

⚠ADVERTENCIA:

- Use sólo clavos endurecidos para concreto. El uso de clavos para otros propósitos puede ocasionar graves lesiones. No coloque el clavo directamente sobre el concreto. Ignorar estas indicaciones puede que resulte en que fragmentos de concreto salgan proyectados o en un retroimpacto causado por el clavo, causando graves lesiones.
- Al colocar clavos, sostenga la herramienta de tal forma que quede perpendicularmente recta en relación con la superficie. El clavado con inclinación puede causar que fragmentos de concreto salgan proyectados o en un retroimpacto causado por el clavo, causando graves lesiones.
- No opere la herramienta sobre superficies de la cual cuelguen objetos, como las partes donde está colocado el sistema de enganche de tuberías de drenaje, ductos de aire, etc.

Seleccione y use clavos de tal forma que la cantidad de penetración en el concreto ronde entre 15 mm (9/16") y 20 mm (13/16").



► 1. Laminilla de acero 2. Cantidad de penetración en el concreto

⚠PRECAUCIÓN:

- Use esta herramienta sólo para concreto suave que no haya sido colocado con mucho tiempo de antelación. El uso sobre concreto endurecido puede causar que el clavo se doble o que el clavado no penetre lo suficiente.
- Cuando el nivel requerido de penetración en concreto sea mayor a 20 mm (13/16"), puede que no se consiga una profundidad suficiente en el clavado. Puede que la colocación de los clavos sea muy superficial lo que ocasione inestabilidad de la pieza de trabajo resultando en lesiones personales o daños a la propiedad.

Mecanismo anti disparador en seco.

Este mecanismo previene que la herramienta se dispare sin clavos.

La prevención seca del disparo automáticamente se activa cuando el número de clavos restantes se reduce a entre 2 y 3 clavos.

Clavadora atascada

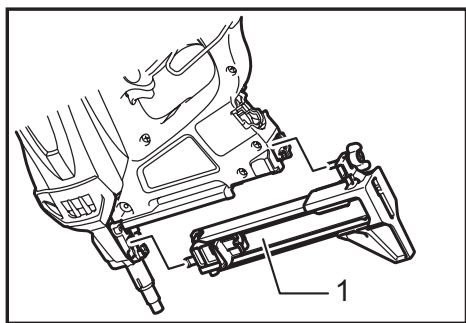
⚠ADVERTENCIA:

- Asegúrese siempre de quitar la pila de combustible y el cartucho de la batería antes de despejar un atascamiento.

⚠PRECAUCIÓN:

- No utilice clavos deformes, ni una tira de clavos con clavos deformes. No seguir esta indicación provocaría una alimentación de clavos deficiente.

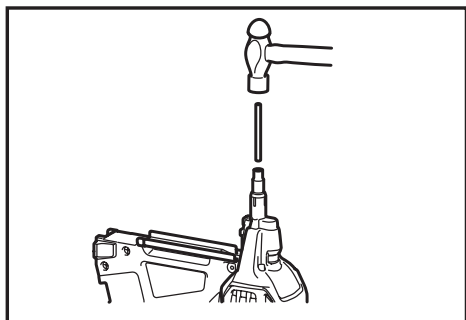
Siga el procedimiento para quitar los clavos y quite los clavos que se hayan atascado.



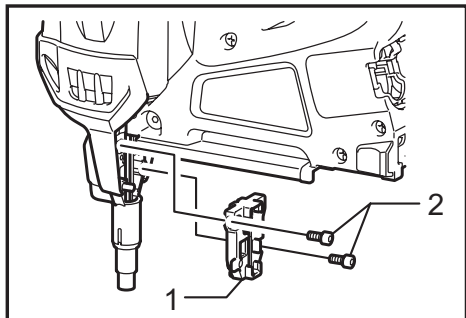
► 1. Cartucho

Retire la pila del combustible, el cartucho de batería y los clavos.

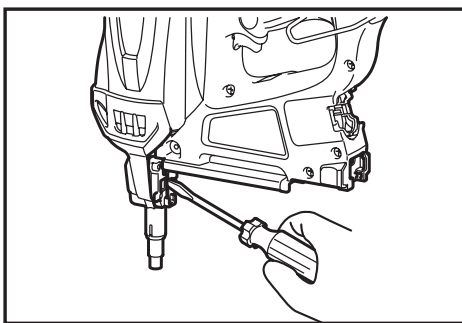
Afloje el perno sobre el cartucho. Retire el cartucho y quite los clavos que se hayan atascado.



Si no se pueden quitar los clavos tras realizar el método anterior, proceda como se indica a continuación. Inserte una varilla pequeña o similar hacia el puerto de expulsión y dé un golpe ligero con un martillo para sacar los clavos atascados del puerto de expulsión.



► 1. Guía de clavado inferior 2. Perno



Si los clavos aún permanecen en el puerto de expulsión, proceda con lo siguiente.

Afloje los pernos en el puerto de expulsión mediante una llave hexagonal. Quite la guía de clavado inferior. Luego proceda a quitar los clavos atascados.

Regrese la guía de clavado inferior y apriete los pernos tras haber quitado los clavos atascados.

Regrese el cartucho y apriete el perno.

MANTENIMIENTO

⚠PRECAUCIÓN:

- Retire siempre la pila del combustible, el cartucho de la batería y los clavos antes de intentar realizar alguna labor de inspección o mantenimiento.
- Nunca use gasolina, bencina, diluyente (tíner), alcohol o sustancias similares. Puede que esto ocasione grietas o descoloramiento.

Mantenimiento tras el uso diario

Tras el uso diario, realice una rutina de fin de jornada. Estos pasos sencillos tienen la función de mantener la seguridad y rendimiento de la herramienta.

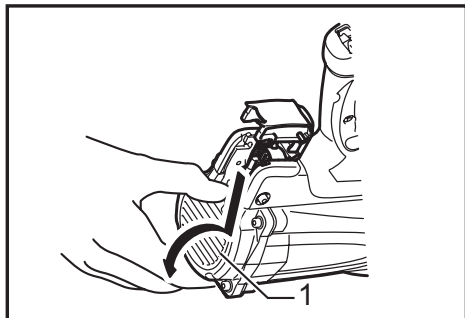
Antes de dejar el sitio de trabajo:

- Retire el cartucho de batería y almacénelo en un estuche para la herramienta. Use siempre el estuche para cargar la herramienta para transportarla y almacenarla.
- Deseche todas las pilas vacías donde no serán encontradas por niños, ni aplastadas, perforadas o quemadas.

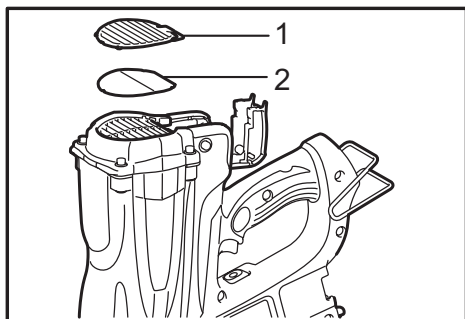
Al llegar a casa:

- Coloque el cartucho de batería en su cargador en caso de que requiera recargarse como se indica por la luz indicadora en rojo.
- Limpie la herramienta con un paño limpio y suave.
- Revise el filtro y límpielo en caso de tener residuos de polvo.

Limpieza del filtro de aire



► 1. Tapa del filtro



► 1. Tapa del filtro 2. Filtro

Ejercer una leve presión hacia arriba sobre la tapa del filtro para abrirla. Y luego simplemente levante separándola del filtro. Golpee suavemente el filtro para eliminar residuos de polvo. El usar agua y jabón restaura el filtro dejándolo casi como nuevo. Para mantener la SEGURIDAD y FIABILIDAD del producto, las reparaciones, y cualquier otra tarea de mantenimiento o ajuste deberán ser realizadas en Centros de Servicio Autorizados por Makita, empleando siempre repuestos Makita.

Limpieza a fondo

Si el disparado en seco ocurre con frecuencia, esto indica que la herramienta requiere limpiarse a fondo. Refiérase a la guía de limpieza incluida para detalles sobre el procedimiento de limpieza. Si tiene cualquier pregunta respecto a la limpieza, consulte con el Centro de Servicio Makita de su región.

ACCESORIOS OPCIONALES

⚠PRECAUCIÓN:

- Estos accesorios o aditamentos (incluidos o no) están recomendados para utilizar con su herramienta Makita especificada en este manual. El empleo de cualesquiera otros accesorios o acoplamientos conllevará un riesgo de sufrir heridas personales. Utilice los accesorios o acoplamientos solamente para su fin establecido.

Si necesita cualquier ayuda para más detalles en relación con estos accesorios, pregunte a su centro de servicio Makita local.

- Clavos
- Cartucho
- Gafas de seguridad
- Pila de combustible
- Juego de limpieza
- Batería y cargador originales de Makita

NOTA:

- Algunos de los artículos en la lista puede que vengan junto con el paquete de la herramienta como accesorios incluidos. Puede que estos accesorios varíen de país a país.

GARANTÍA LIMITADA DE UN AÑO DE MAKITA

Ésta Garantía no aplica para México Política de garantía

Cada herramienta Makita es inspeccionada y probada exhaustivamente antes de salir de la fábrica. Se garantiza que está libre de defectos de mano de obra y materiales por el período de UN AÑO a partir de la fecha original de compra. Si durante este período de un año se desarrollara algún problema, devuelva la herramienta COMPLETA, con el envío prepagado, a un centro de servicio autorizado o de fábrica Makita. Si la inspección muestra que el problema ha sido a causa de un defecto de mano de obra o material, Makita hará la reparación (o a su discreción, el reemplazo) sin ningún cargo. Esta garantía no aplica cuando:

- las reparaciones se hayan hecho o intentado hacer por otros;
- se requieran reparaciones debido al desgaste normal;
- la herramienta haya sido maltratada, recibido un mal uso o haya recibido un mantenimiento inapropiado;
- se hayan hecho modificaciones a la herramienta.

EN NINGÚN CASO MAKITA SE HARÁ RESPONSABLE DE NINGÚN DAÑO INDIRECTO, INCIDENTAL, O DERIVADO DE LA VENTA O USO DEL PRODUCTO. ESTE DESCARGO DE RESPONSABILIDAD APLICA DURANTE Y DESPUÉS DEL PLAZO DE ESTA GARANTÍA. MAKITA RENUNCIA A LA RESPONSABILIDAD POR CUALQUIER GARANTÍA IMPLÍCITA, INCLUYENDO GARANTÍAS DE "COMERCIABILIDAD" Y "ADECUACIÓN PARA UN PROPÓSITO ESPECÍFICO", DESPUÉS DEL PLAZO DE UN AÑO DE ESTA GARANTÍA.

Esta garantía le concede derechos legales específicos y usted podrá tener también otros derechos que varían de un estado a otro. Algunos estados no permiten la exclusión o limitación de daños incidentales o consecuentes, por lo que la limitación o exclusión arriba mencionada podría no aplicar para usted. Algunos estados no permiten la limitación sobre la duración de una garantía implícita, por lo que la limitación arriba mencionada podría no aplicar para usted.

< USA only >

WARNING

Some dust created by power sanding, sawing, grinding, drilling, and other construction activities contains chemicals known to the State of California to cause cancer, birth defects or other reproductive harm. Some examples of these chemicals are:

- lead from lead-based paints,
- crystalline silica from bricks and cement and other masonry products, and
- arsenic and chromium from chemically-treated lumber.

Your risk from these exposures varies, depending on how often you do this type of work. To reduce your exposure to these chemicals: work in a well ventilated area, and work with approved safety equipment, such as those dust masks that are specially designed to filter out microscopic particles.

< Sólo en los Estados Unidos >

ADVERTENCIA

Algunos polvos creados por el lijado, aserrado, esmerilado, taladrado y otras actividades de la construcción contienen sustancias químicas reconocidas por el Estado de California como causantes de cáncer, defectos de nacimiento y otros peligros de reproducción. Algunos ejemplos de estos productos químicos son:

- plomo de pinturas a base de plomo,
- sílice cristalino de ladrillos y cemento y otros productos de albañilería, y
- arsénico y cromo de maderas tratadas químicamente.

El riesgo al que se expone varía, dependiendo de la frecuencia con la que realice este tipo de trabajo. Para reducir la exposición a estos productos químicos: trabaje en un área bien ventilada y póngase el equipo de seguridad indicado, tal como las máscaras contra polvo que están especialmente diseñadas para filtrar partículas microscópicas.

Makita Corporation

3-11-8, Sumiyoshi-cho,
Anjo, Aichi 446-8502 Japan

www.makita.com

885157B943
GN01-1
EN, FRCA, ESMX
20160823